

DUCATI energia	CAPACITOR for AC use	C = 5 μ F Un =450 V
S.p.A		Part. Number : 416423474

CARATTERISTICS

Rated Capacitance	5	μ F
Capacitance Tolerance	$\pm 5\%$	
Rated RMS Voltage (Un AC)	450	V
Rated frequency	50-60	Hz
Max. DC Voltage	890	V
Maximum Current (Imax)	8	A
Series resistance (Rs)	< 20	mOhm
Self-inductance	<100	nH

Dry metallized polypropylene capacitors.

The case is made of aluminium.

The capacitive element is enclosed in an insulated can completely sealed.

The cap is made of a thermoplastic elastomer material.

MAXIMUM RATINGS

Max. repetitive peak current (Ipk)	100	A
Surge current (Is)	225	
Voltage rate of rise (dV/dt)	45	V/ μ s

TEST DATA

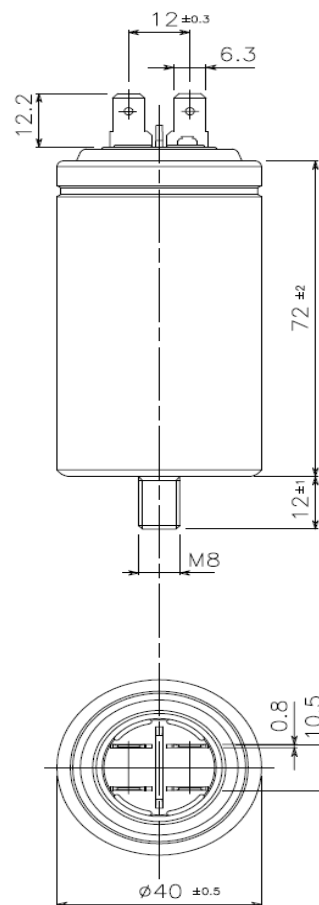
AC Test voltage terminal to terminal	960	V
AC test voltage terminal to case	3000	V

CLIMATIC CATEGORY

Min.limit temperature (To min)	-25	$^{\circ}$ C
Max limit temperature (To max)	+70	$^{\circ}$ C
Storage temperature	-25 +85	$^{\circ}$ C

Failure quota	300/10E9
Expected life (Ln) (450V – 60 $^{\circ}$ C)	80.000h

Humidity category	in accord. with DIN 40040	F
Self-extinguishing	in accord. with UL 492	
Vibration resistance	in accord. with EIA STAND. RS-186-7E	



Total elongation is about 10 mm after the overpressure disconnecter release.
Don't use rigid connections.

Edition	Date	Description	Signature
-	15/10/15	First issue	A.G.