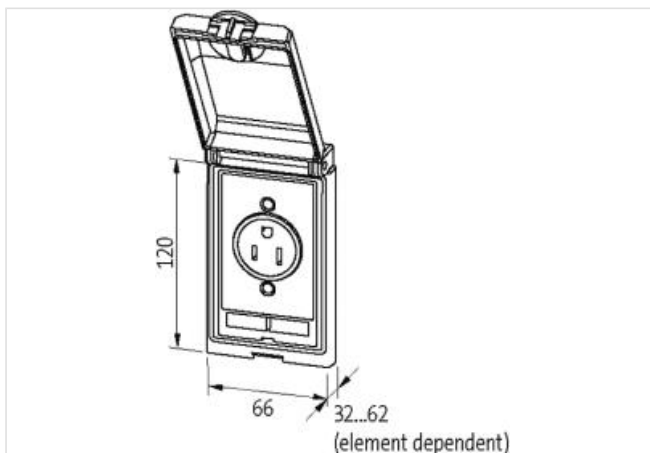
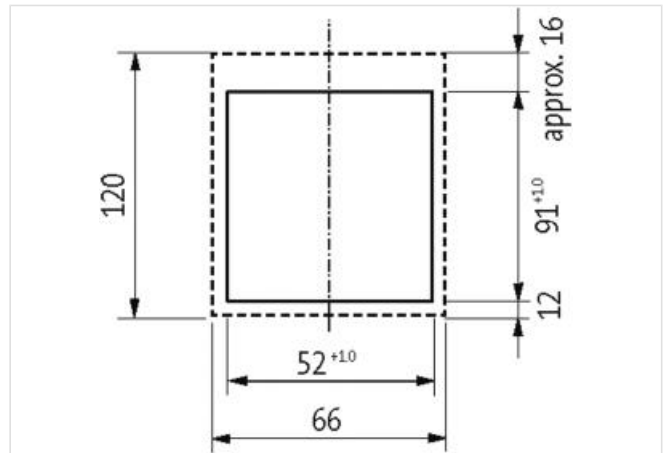


**MODLINK MSDD FRAME SINGLE METAL**

Nickeled

Frame: metal, matte nickel plated

Lid: metal, matte nickel plated

[Link to Product](#)**Illustration**

Product may differ from Image

**General data**

Shielded	yes
Dimensions HxWxD	120x65x38 mm

**Frame**

suitable for mounting with wall thickness	1...5 mm
Protection	IP65
Temperature range	-10...+60 °C (storage temperature -25...+60 °C)
Housing	Zinc die-casting, with surface finishing

The information in this brochure has been compiled with the utmost care.

Liability for the correctness completeness and topicality of the information is restricted to gross negligence. Version: 2023-04-25

Murrelektronik GmbH | Falkenstr. 3 | 71570 Oppenweiler | Fon +49 (71 91) 47-0 | Fax +49 (71 91) 47-491000 | shop@murrelektronik.com | shop.murrelektronik.com