

SAFETY CABLE OPERATED SWITCH METAL, LATCHING TO EN418, 2NC PUSHBUTTON RESET, 25 M CABLE, W. ASI-F ADAPTER SAFETY AT WORK CHAN.1 AT 11-12, CHAN.2 AT 21-22



<b>Product designation</b>	communication-capable cable-operated switch
<b>General technical data</b>	
<b>Product function</b>	
• positive opening	Yes
<b>Protection class IP</b>	IP65
<b>Active principle</b>	mechanical, bowden wire
<b>Number of NC contacts for auxiliary contacts</b>	2
<b>Number of NO contacts for auxiliary contacts</b>	0
<b>Number of CO contacts for auxiliary contacts</b>	0
<b>Enclosure</b>	
<b>Design of the housing</b>	block
<b>Material of the enclosure</b>	metal
<b>Coating of the enclosure</b>	painted
<b>Design of the housing acc. to standard</b>	No
<b>Drive Head</b>	
<b>Design of the operating mechanism</b>	bowden wire
<b>Design of the switching function</b>	positive opening
<b>Connections/Terminals</b>	

Type of electrical connection	ASIsafe
-------------------------------	---------

### Ambient conditions

<b>Ambient temperature</b> <ul style="list-style-type: none"><li>during operation</li></ul>	-25 ... +70 °C
---	----------------

### Installation/ mounting/ dimensions

<b>(mounting type)</b>	screw fixing
------------------------	--------------

### Certificates/approvals

General Product Approval	Declaration of Conformity	other
--------------------------	---------------------------	-------



[Miscellaneous](#)

[Confirmation](#)

### Further information

**Information- and Downloadcenter (Catalogs, Brochures,...)**

<http://www.siemens.com/industrial-controls/catalogs>

**Industry Mall (Online ordering system)**

<https://mall.industry.siemens.com/mall/en/en/Catalog/product?mlfb=3SF2150-1BF00-0BA1>

**Cax online generator**

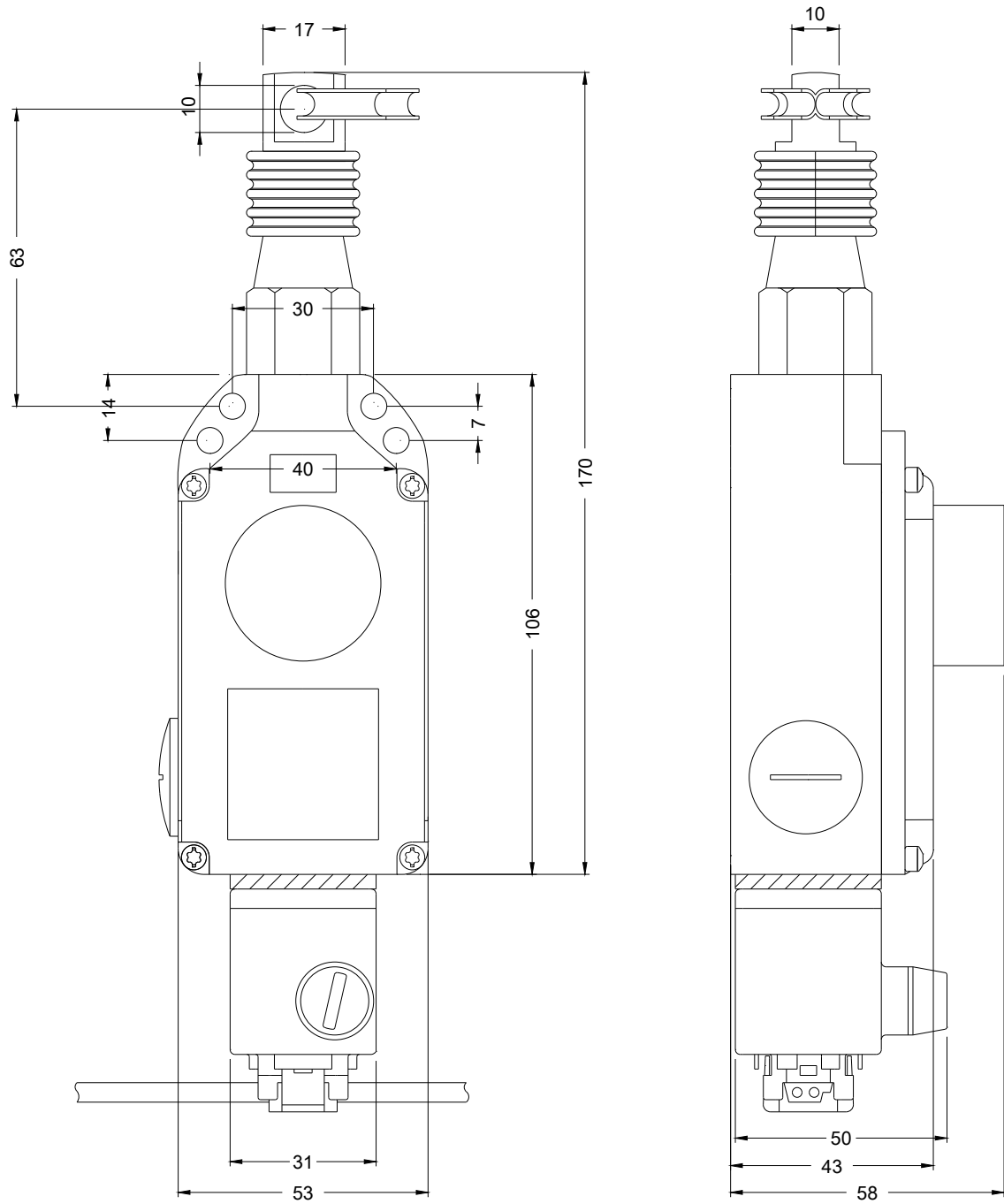
<http://support.automation.siemens.com/WW/CAXorder/default.aspx?lang=en&mlfb=3SF2150-1BF00-0BA1>

**Service&Support (Manuals, Certificates, Characteristics, FAQs,...)**

<https://support.industry.siemens.com/cs/ww/en/ps/3SF2150-1BF00-0BA1>

**Image database (product images, 2D dimension drawings, 3D models, device circuit diagrams, EPLAN macros, ...)**

[http://www.automation.siemens.com/bilddb/cax\\_de.aspx?mlfb=3SF2150-1BF00-0BA1&lang=en](http://www.automation.siemens.com/bilddb/cax_de.aspx?mlfb=3SF2150-1BF00-0BA1&lang=en)



last modified:

04/08/2019