



Safety position switch with tumbler Locking force 1300 N 5 directions of approaches Plastic enclosure, M12 connector ASIsafe integrated Channel 1=actuator 1 NC Channel 2=magnet 1 NC spring-locked Auxiliary release lock on front Magnet voltage 24 V DC/AC Monitoring actuator 2 NC/1 NO Monitoring magnet 2 NC/1 NO The matching separate Actuator 3SE5000-0AV0 must be ordered separately

Product brand name	SIRIUS
Product designation	Mechanical safety switches
Design of the product	with separate actuator and with tumbler
Product type designation	3SF13
Manufacturer's article number <ul style="list-style-type: none"> <li>of the optional actuators</li> </ul>	3SE5000-0AV01 standard actuator, 3SE5000-0AV02 actuator with vertical mounting, 3SE5000-0AV03 actuator with transverse mounting, 3SE5000-0AV04 radius actuator left, 3SE5000-0AV05 universal actuator, 3SE5000-0AV06 radius actuator right, 3SE5000-0AV07 heavy duty actuator
Suitability for use safety switch	Yes

General technical data	
Product function <ul style="list-style-type: none"> <li>positive opening</li> </ul>	Yes
Insulation voltage <ul style="list-style-type: none"> <li>rated value</li> </ul>	30 V
Degree of pollution	class 3
Surge voltage resistance rated value	0.8 kV
Protection class IP	IP66/IP67
Shock resistance	30g / 11 ms

• acc. to IEC 60068-2-27	30 g / 11 ms
<b>Vibration resistance</b>	0.35 mm / 5g
• acc. to IEC 60068-2-6	0.35 mm/5g
<b>Mechanical service life (switching cycles)</b>	
• typical	1 000 000
<b>Material of the enclosure of the switch head</b>	plastic
<b>Locking force</b>	1 300 N
• acc. to DIN EN ISO 14119	1 000 N
<b>Repeat accuracy</b>	0.1 mm
<b>Minimum actuating force in activation direction</b>	30 N

### Enclosure

<b>Design of the housing</b>	special design
<b>Material of the enclosure</b>	plastic
<b>Design of the housing acc. to standard</b>	No

### Drive Head

<b>Design of the operating mechanism</b>	5 directions of approach
<b>Design of the switching function</b>	positive opening
<b>Number of actuation directions</b>	5

### Connections/Terminals

<b>Type of electrical connection</b>	M12 plug, fixed
--------------------------------------	-----------------

### Safety related data

<b>B10 value</b>	
• with high demand rate acc. to SN 31920	1 000 000
<b>Proportion of dangerous failures</b>	
• with high demand rate acc. to SN 31920	20 %
<b>Design of plug-in connection</b>	M12 plug, 4-pole: Pin 1 = ASI+ , Pin 2 = not assigned, Pin 3= ASI- , Pin 4 = not assigned
<b>Locking mechanism design</b>	spring-actuated lock (closed-circuit principle) with auxiliary release and lock

### Communication/ Protocol

<b>Design of the interface</b>	M12 plug, fixed
<b>AS interface slave profile</b>	7.B.F
<b>ID1 code</b>	F (hex, variable 0...F)

### Ambient conditions

<b>Ambient temperature</b>	
• during operation	-25 ... +60 °C
• during storage	-40 ... +80 °C

### Supply voltage





<b>Supply voltage of magnet coil</b>	24 V
--------------------------------------	------

### Installation/ mounting/ dimensions

- (mounting position)
- (mounting type)

any  
screw fixing

## Certificates/approvals

General Product Approval		Functional Safety/Safety of Machinery	Declaration of Conformity
 CSA	 UL		<a href="#">Type Examination Certificate</a>  EG-Konf.

[Miscellaneous](#)

Test Certificates	other	
<a href="#">Type Test Certificates/Test Report</a>	<a href="#">Confirmation</a>	<a href="#">Miscellaneous</a>

## Further information

### Information- and Downloadcenter (Catalogs, Brochures,...)

<http://www.siemens.com/industrial-controls/catalogs>

### Industry Mall (Online ordering system)

<https://mall.industry.siemens.com/mall/en/en/Catalog/product?mlfb=3SF1324-1SE21-1BA1>

### Cax online generator

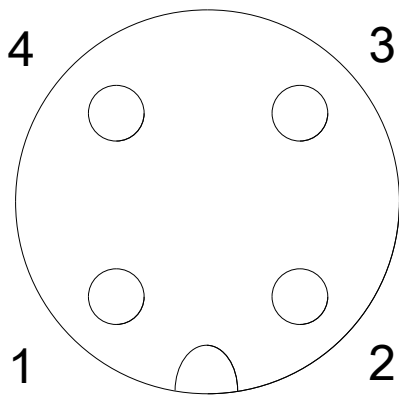
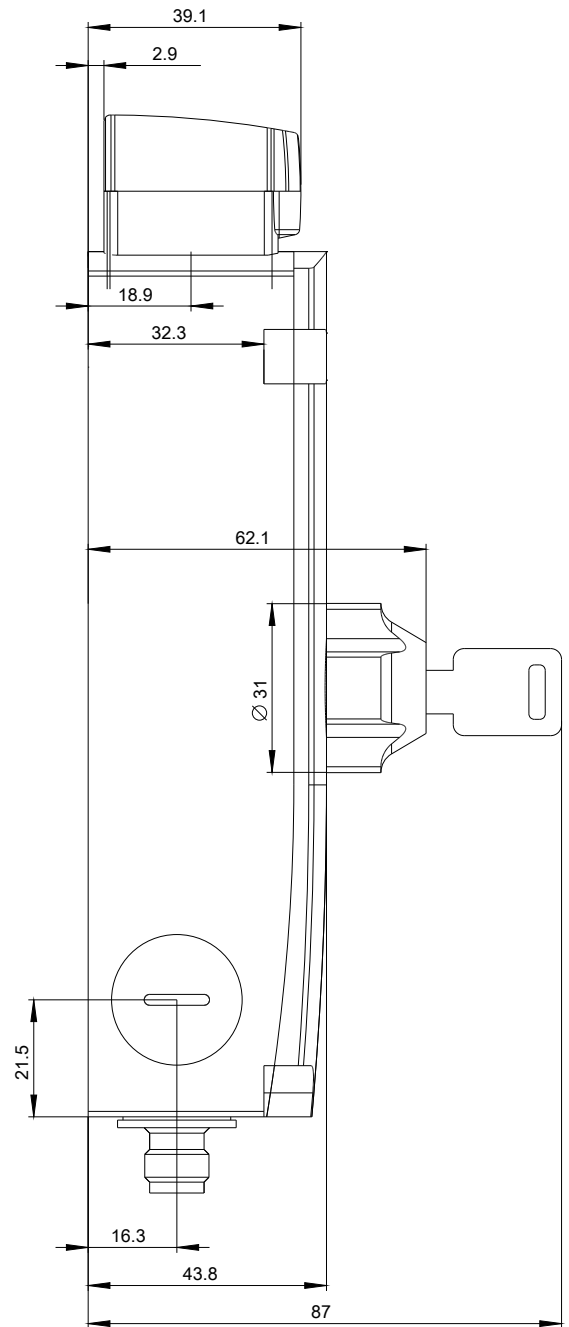
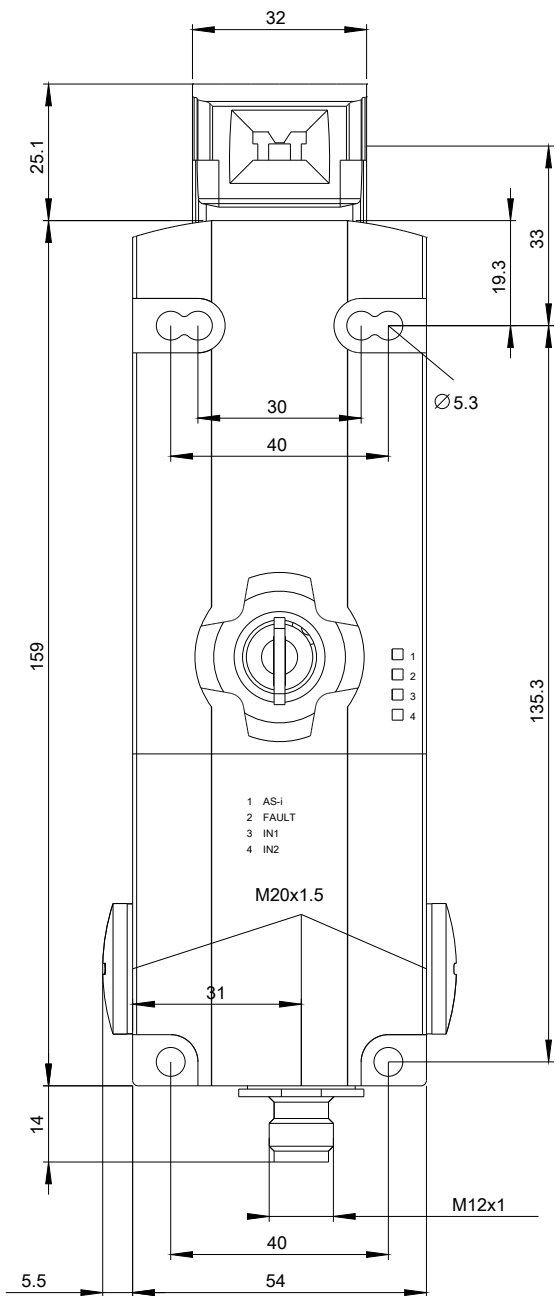
<http://support.automation.siemens.com/WW/CAXorder/default.aspx?lang=en&mlfb=3SF1324-1SE21-1BA1>

### Service&Support (Manuals, Certificates, Characteristics, FAQs,...)

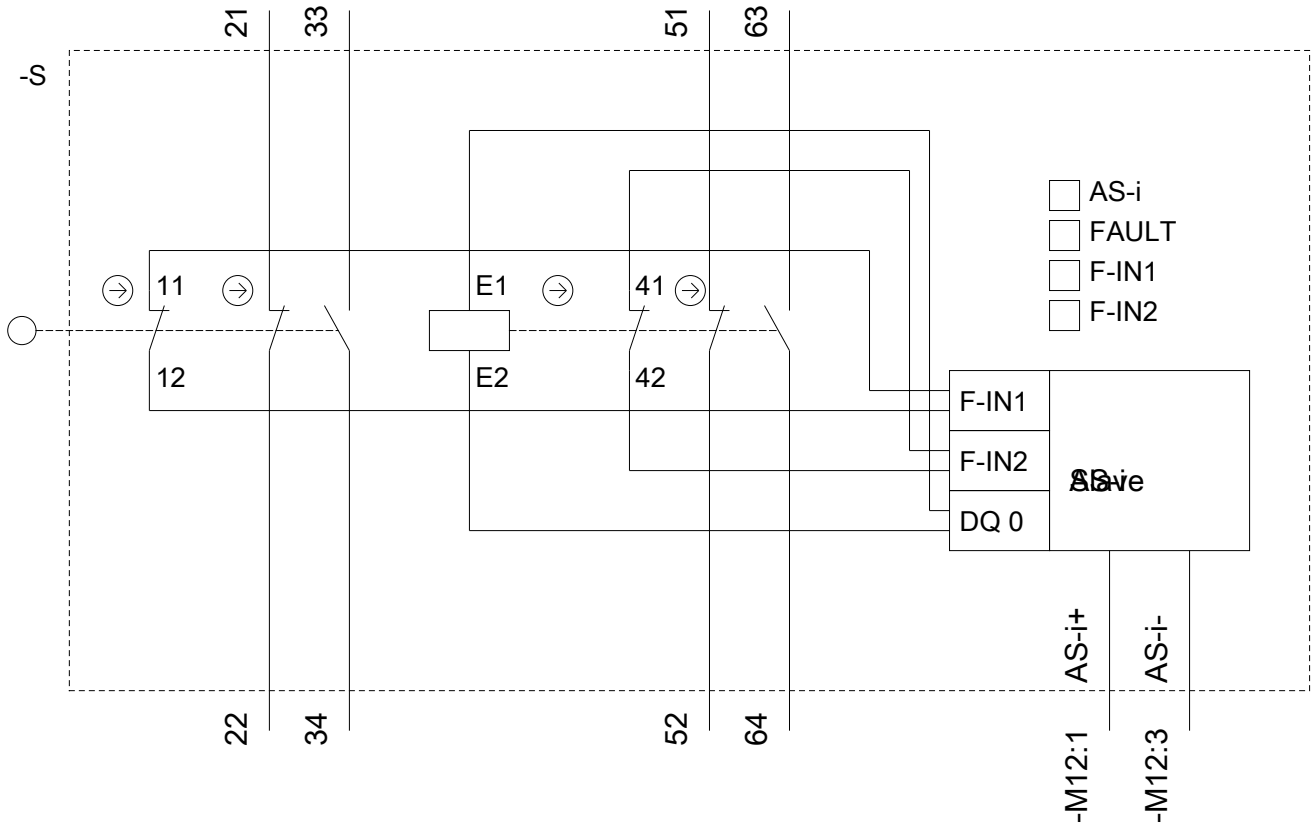
<https://support.industry.siemens.com/cs/ww/en/ps/3SF1324-1SE21-1BA1>

### Image database (product images, 2D dimension drawings, 3D models, device circuit diagrams, EPLAN macros, ...)

[http://www.automation.siemens.com/bilddb/cax\\_de.aspx?mlfb=3SF1324-1SE21-1BA1&lang=en](http://www.automation.siemens.com/bilddb/cax_de.aspx?mlfb=3SF1324-1SE21-1BA1&lang=en)



1	→	ASI+
2	→	n. c.
3	→	ASI-
4	→	n. c.



last modified:

04/01/2019