

POSITION SWITCH ENCLOSED DEGREE OF PROTECTION IP65,
EN 50 041, SLOW-ACTION MAKE BEFORE-BREAK, CONTACTS
1NO+1NC, ROLLER LEVER, 1 X M20 X 1,5



Product designation	position switch
Suitability for use safety switch	Yes

General technical data

Protection class IP	IP66
Active principle	mechanical
Length of the sensor	121.5 mm
Width of the sensor	40 mm
Design of the switching contact	mechanical
Number of NC contacts for auxiliary contacts	1
Number of NO contacts for auxiliary contacts	1
Number of CO contacts for auxiliary contacts	0
Design of the interface for safety-related communication	without

Enclosure

Design of the housing	design complying with EN 50041
Material of the enclosure	glass fiber reinforced thermoplast
Coating of the enclosure	Other types
Design of the housing acc. to standard	Yes

Drive Head	
Design of the operating mechanism	roller lever
Design of the switching function	positive opening
Circuit principle	slow-action make-before-break contacts
Number of switching contacts safety-related	1

Connections/Terminals	
Type of electrical connection	screw-type terminals

Communication/ Protocol	
Design of the interface	without


Ambient conditions	
Ambient temperature	
• during operation	-30 ... +85 °C
Explosion protection category for dust	none

Installation/ mounting/ dimensions	
• (mounting type)	screw fixing

Certificates/approvals

General Product Approval	Declaration of Conformity
 CCC  CSA  UL	 EAC  CE EG-Konf.

[Miscellaneous](#)

Test Certificates	Marine / Shipping	other
Miscellaneous	 ABS  LRS  PRS	 RINA Confirmation

Further information

Information- and Downloadcenter (Catalogs, Brochures,...)

<http://www.siemens.com/industrial-controls/catalogs>

Industry Mall (Online ordering system)

<https://mall.industry.siemens.com/mall/en/en/Catalog/product?mlfb=3SE2230-3E>

Cax online generator

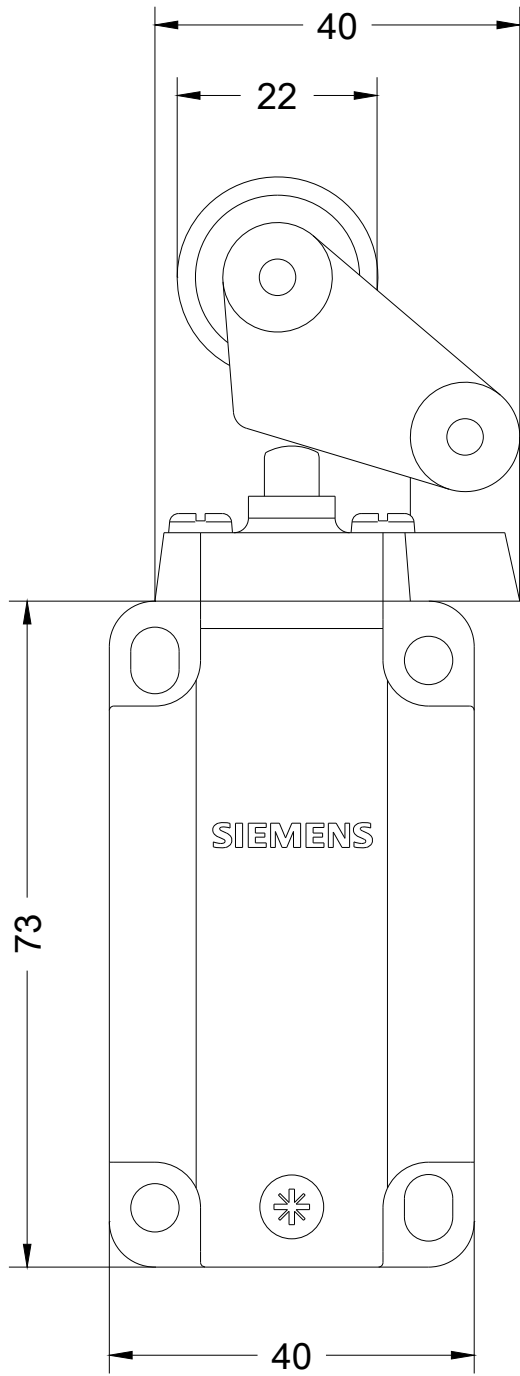
<http://support.automation.siemens.com/WW/CAXorder/default.aspx?lang=en&mlfb=3SE2230-3E>

Service&Support (Manuals, Certificates, Characteristics, FAQs,...)

<https://support.industry.siemens.com/cs/ww/en/ps/3SE2230-3E>

Image database (product images, 2D dimension drawings, 3D models, device circuit diagrams, EPLAN macros, ...)

http://www.automation.siemens.com/bilddb/cax_de.aspx?mlfb=3SE2230-3E&lang=en



last modified:

05/04/2019

