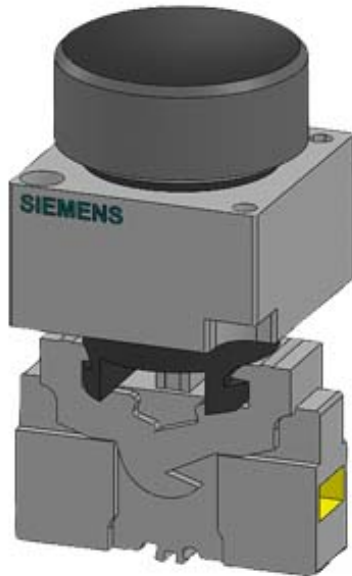


22MM PLASTIC ROUND COMPLETE UNIT COMBINATION:
ILLUMINATED PUSHBUTTON MOMENTARY CONTACT TYPE
WITH FLAT BUTTON ILLUMINATED WITH INTEGRATED LED 24V
AC/DC SCREW TERMINAL, 1NO WITH HOLDER GREEN !!!
Phased-out product !!! SIRIUS ACT 3SU1 is successor Preferred
successor ty >>3SU1102-0AB40-1BA0<<



Design of the product	Complete unit round
Enclosure	
Shape of the enclosure front	round
Material of the enclosure	plastic
Number of command points	1
Actuator	
Design of the operating mechanism	Illuminated pushbutton
Manner of function of the actuating element	Momentary contact type
Product extension optional Light source	Yes
Color	
• of the actuating element	Green
Material of the actuating element	plastic
Shape of the actuating element	Flat pushbutton
Type of unlocking device	without
Number of switching positions	2
Front ring	
Product component front ring	Yes
Design of the front ring	Standard

Material of the front ring	plastic
Color of the front ring	black
Holder	
Material of the holder	Plastic
Contact block/ lampholder	
Mounting type	integrated LED
Number of lampholders	1
Number of switching elements	1
General technical data	
Product function	
• positive opening	No
• EMERGENCY STOP function	No
Product component	
• Light source	Yes
Protection class IP	IP66
Operating frequency maximum	1 000 1/h
Mechanical service life (switching cycles)	
• typical	3 000 000
Reference code acc. to DIN 40719 extended according to IEC 204-2 acc. to IEC 750	S
Reference code acc. to DIN EN 81346-2	S
Reference code acc. to DIN EN 61346-2	S
Supply voltage	
Type of voltage of the supply voltage	
• of the light source	AC/DC
Supply voltage of the light source at AC	
• at 50 Hz rated value	24 V
• at 60 Hz rated value	24 V
Supply voltage of the light source at DC	
• rated value	24 V
Relative negative tolerance of the supply voltage	-15 %
Relative positive tolerance of the supply voltage	10 %
Auxiliary circuit	
Number of NC contacts for auxiliary contacts	0
Number of NO contacts for auxiliary contacts	1
Number of CO contacts	
• for auxiliary contacts	0
Consumed current for rated value of supply voltage maximum	18 mA
Operating current at AC-12	
• at 24 V rated value	10 A

<ul style="list-style-type: none"> • at 48 V rated value • at 110 V rated value • at 230 V rated value • at 400 V rated value 	10 A 10 A 10 A 10 A
Operating current at AC-15	
<ul style="list-style-type: none"> • at 24 V rated value • at 48 V rated value • at 110 V rated value • at 230 V rated value • at 400 V rated value 	6 A 6 A 6 A 6 A 3 A
Operating current at DC-12	
<ul style="list-style-type: none"> • at 24 V rated value • at 48 V rated value • at 110 V rated value • at 230 V rated value 	10 A 5 A 2.5 A 1 A
Operating current at DC-13	
<ul style="list-style-type: none"> • at 24 V rated value • at 48 V rated value • at 110 V rated value • at 230 V rated value 	3 A 1.5 A 0.7 A 0.3 A

Connections/Terminals

Type of electrical connection	screw-type terminals
Tightening torque of the screws in the bracket	1 ... 1.2 N·m

Ambient conditions

Ambient temperature	
<ul style="list-style-type: none"> • during operation • during storage 	-25 ... +70 °C -40 ... +80 °C
Environmental category during operation acc. to IEC 60721	3K6

Installation/ mounting/ dimensions

<ul style="list-style-type: none"> • (mounting type) 	front mounting
Shape of the installation opening	round
(mounting diameter)	22 mm
Mounting height	8 mm
Installation width	28.5 mm
Installation depth	49 mm

Accessories

Product component holder for 3 switching elements	Yes
----------------------------------------------------------	-----

Certificates/approvals

General Product Approval	Declaration of Conformity
---------------------------------	----------------------------------



CCC



CSA



UL



EG-Konf.

[Miscellaneous](#)

Test Certificates	Marine / Shipping	other
--------------------------	--------------------------	--------------

[Special Test Certificate](#)



ABS



LRS



PRS



RINA

[Confirmation](#)

other

[Environmental Confirmations](#)

[Miscellaneous](#)

Further information

Information- and Downloadcenter (Catalogs, Brochures,...)

<http://www.siemens.com/industrial-controls/catalogs>

Industry Mall (Online ordering system)

<https://mall.industry.siemens.com/mall/en/en/Catalog/product?mlfb=3SB3245-0AA41>

Cax online generator

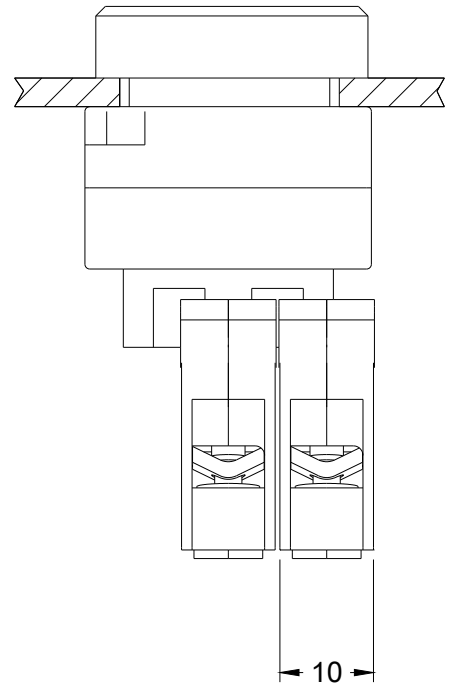
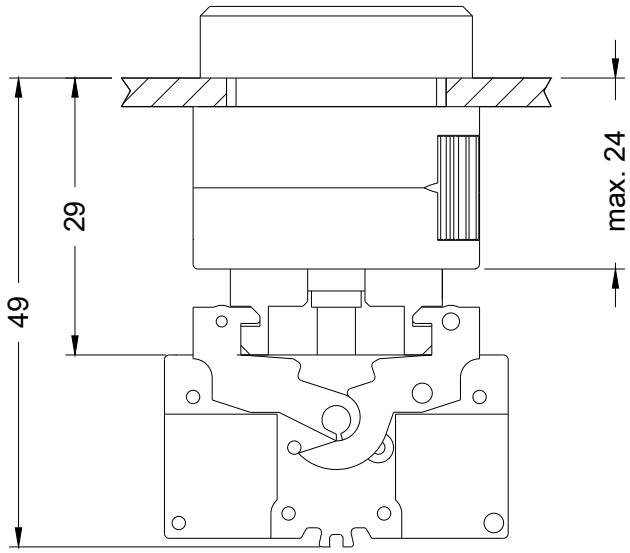
<http://support.automation.siemens.com/WW/CAXorder/default.aspx?lang=en&mlfb=3SB3245-0AA41>

Service&Support (Manuals, Certificates, Characteristics, FAQs,...)

<https://support.industry.siemens.com/cs/ww/en/ps/3SB3245-0AA41>

Image database (product images, 2D dimension drawings, 3D models, device circuit diagrams, EPLAN macros, ...)

http://www.automation.siemens.com/bilddb/cax_de.aspx?mlfb=3SB3245-0AA41&lang=en



last modified:

04/30/2019