



22MM PLASTIC ROUND COMPLETE UNIT
 COMBINATION: PUSHBUTTON WITH FLAT BUTTON
 SCREW TERMINAL,
 1NO+1NC WITH HOLDER BLACK

Front ring:

Product component / front ring		Yes
Material / of the front ring		plastic
Color / of the front ring		black

Enclosure:

Shape / of the housing front		round
material / of the housing		plastic

General technical details:

Number of control points		1
Type of voltage		
• of the operating voltage		AC/DC
Operating voltage / rated value		
• minimum	V	5
• maximum	V	400
Design of the electrical connection		screw-type terminals
Number of switching positions		2
Product extension / optional / fluorescent materials		No
Resistance against shock		

<ul style="list-style-type: none"> for devices without incandescent lamp / according to IEC 60068-2-27 		<= 50g
Resistance against vibration / according to IEC 60068-2-6		20 ... 200 Hz: 5g
Operating cycles / maximum	1/h	1,000
Mechanical operating cycles as operating time / typical		10,000,000
Item designation		
<ul style="list-style-type: none"> according to DIN EN 61346-2 		S
<ul style="list-style-type: none"> according to DIN 40719 extendable after IEC 204-2 / according to IEC 750 		S

Auxiliary circuit:

Number of NC contacts / for auxiliary contacts		1
Number of NO contacts / for auxiliary contacts		1
Number of change-over switches / for auxiliary contacts		0




Installation/mounting/dimensions:

Type of mounting		front mounting
Shape / of the installation hole		round
Installation width	mm	28.5
Mounting diameter	mm	22
Mounting height	mm	8
Tightening torque / of the screws in the bracket / maximum	N-m	1

Ambient conditions:

Ambient temperature		
<ul style="list-style-type: none"> during operating 	°C	-25 ... 70
<ul style="list-style-type: none"> during storage 	°C	-40 ... 80
Protection class IP		IP66

Certificates/approvals:

General Product Approval			Test Certificates	
		ROSTEST		Manufacturer
CQC	CSA		UL	

Shipping Approval					
					
ABS	BUREAU VERITAS	DNV	LRS	PRS	RINA

other
Manufacturer

Further information:

Information- and Downloadcenter (Catalogs, Brochures,...)

<http://www.siemens.com/industrial-controls/catalogs>

Industry Mall (Online ordering system)

<http://www.siemens.com/industrial-controls/mall>

CAX-Online-Generator

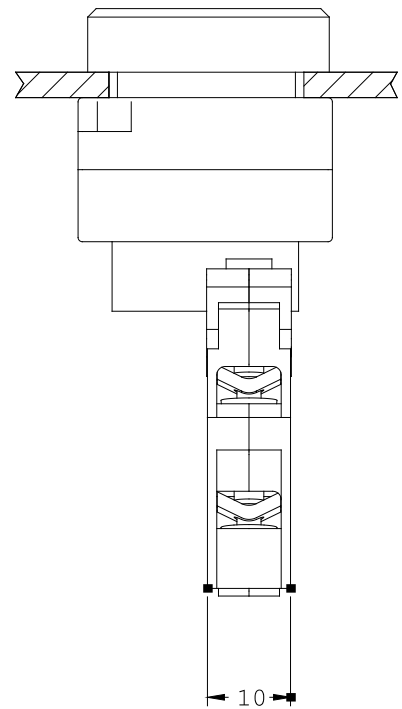
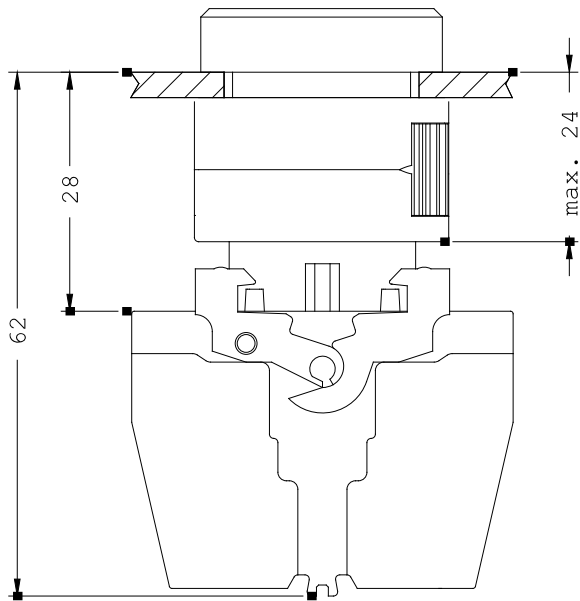
<http://www.siemens.com/cax>

Service&Support (Manuals, Certificates, Characteristics, FAQs,...)

<http://support.automation.siemens.com/WW/view/en/3SB3201-0AA11/all>

Image database (product images, 2D dimension drawings, 3D models, device circuit diagrams, ...)

http://www.automation.siemens.com/bilddb/cax_en.aspx?mlfb=3SB3201-0AA11



last change:

Oct 31, 2011