



SIMATIC ET 200SP communication module CM AS-Interface Master ST according to AS-i specification V3.0

General technical data		
product designation		AS-Interface Master
product type designation		CM AS-i Master ST
protection class IP		IP20
type of electrical connection of the AS-Interface		ET 200SP BaseUnit (Type C0), 20 mm
type of voltage supply		Via AS-i and backplane bus
operating condition separate power supply 24 V		No
consumed current		
<ul style="list-style-type: none"> <li>from profile conductors of the AS-Interface                             <ul style="list-style-type: none"> <li>at 30 V maximum</li> </ul> </li> </ul>	mA	70
<ul style="list-style-type: none"> <li>at 24 V with AS-i Power24V maximum</li> </ul>	mA	70
<ul style="list-style-type: none"> <li>from backplane bus maximum</li> </ul>	mA	20
power loss [W]	W	1.7
insulation voltage rated value	V	500
product function suitable for AS-i Power24V		Yes
<ul style="list-style-type: none"> <li>note</li> </ul>		All product versions
product feature redundancy capability		No
product function		
<ul style="list-style-type: none"> <li>web-based management</li> </ul>		No
<ul style="list-style-type: none"> <li>diagnostics via email</li> </ul>		No
<ul style="list-style-type: none"> <li>galvanic isolation</li> </ul>		Yes
display version		
<ul style="list-style-type: none"> <li>as status display by LED</li> </ul>		DIAG, AS-i OK, AS-i FAULT, PF, CER, CM, AUP, PWR, SL_Xy (A), SL_xY (B)
type of configuration of the AS-Interface		Set pushbutton on device, STEP7, GSD, command interface
Communication/ Protocol		
version of the AS-Interface specification		V 3.0
AS-Interface master profile is supported		M4 (in acc. with AS-interface specification V 3.0)
type of data transmission		ET 200SP backplane bus
number of interfaces		
<ul style="list-style-type: none"> <li>as AS-Interface</li> </ul>		1
<ul style="list-style-type: none"> <li>acc. to RS 485</li> </ul>		0
<ul style="list-style-type: none"> <li>acc. to Industrial Ethernet</li> </ul>		0
<ul style="list-style-type: none"> <li>acc. to PROFINET</li> </ul>		0
<ul style="list-style-type: none"> <li>acc. to wireless</li> </ul>		0
<ul style="list-style-type: none"> <li>acc. to USB</li> </ul>		0
<ul style="list-style-type: none"> <li>other</li> </ul>		0
product component optical interface		No
protocol is supported		

• ASIsafe (Safety at work) protocol		No
• PROFI-safe protocol		No
• PROFIBUS protocol		No
• PROFINET IO protocol		No
• PROFINET CBA protocol		No
• TCP/IP		No
• SNMP		No
<b>standard for wireless communication IEEE 802.11</b>		No

### Inputs/ Outputs

<b>number of inputs for AS-Interface maximum</b>		496
<b>number of outputs for AS-Interface maximum</b>		496
<b>number of AS-i slaves per AS-Interface maximum</b>		62
<b>bus cycle time of the AS-Interface</b>		
• for 31 slaves	ms	5
• for 62 slaves	ms	10
<b>access to digital I/O data</b>		via process image/peripheral addresses
<b>access to analog I/O data</b>		via process diagram/peripheral addresses and data record transfer

### Mechanical data

<b>width</b>	mm	20
<b>height</b>	mm	69.2
<b>depth</b>	mm	53.6
<b>fastening method</b>		pluggable in BaseUnit
<b>module format</b>		IP20

### Ambient conditions

<b>ambient temperature</b>		
• if installed on horizontal mounting rail	°C	0 ... 60
• if installed on vertical mounting rail during operation	°C	0 ... 50
• during transport	°C	-40 ... +70
• during storage	°C	-40 ... +70
<b>relative humidity at 25 °C during operation maximum</b>	%	95
<b>installation altitude at height above sea level maximum</b>	m	2 000

### Safety related data

<b>suitability for use safety-related function</b>		No
<b>explosion protection marking for intrinsic safety of related equipment</b>		
• EEx ia		No
• EEx ib		No
<b>explosion protection category for gas</b>		none
<b>explosion protection category for dust</b>		none

### Certificates/ approvals

<b>General Product Approval</b>	<b>EMC</b>	<b>For use in hazardous locations</b>
---------------------------------	------------	---------------------------------------

[EM](#)



<b>Declaration of Conformity</b>	<b>Marine / Shipping</b>	<b>other</b>
----------------------------------	--------------------------	--------------



EG-Konf.

[NK / Nippon Kaiji Kyokai](#)



ASi

[Confirmation](#)

### Further information

[Information- and Downloadcenter \(Catalogs, Brochures,...\)](#)

<https://www.siemens.com/ic10>

Industry Mall (Online ordering system)

<https://mall.industry.siemens.com/mall/en/en/Catalog/product?mlfb=3RK7137-6SA00-0BC1>

Cax online generator

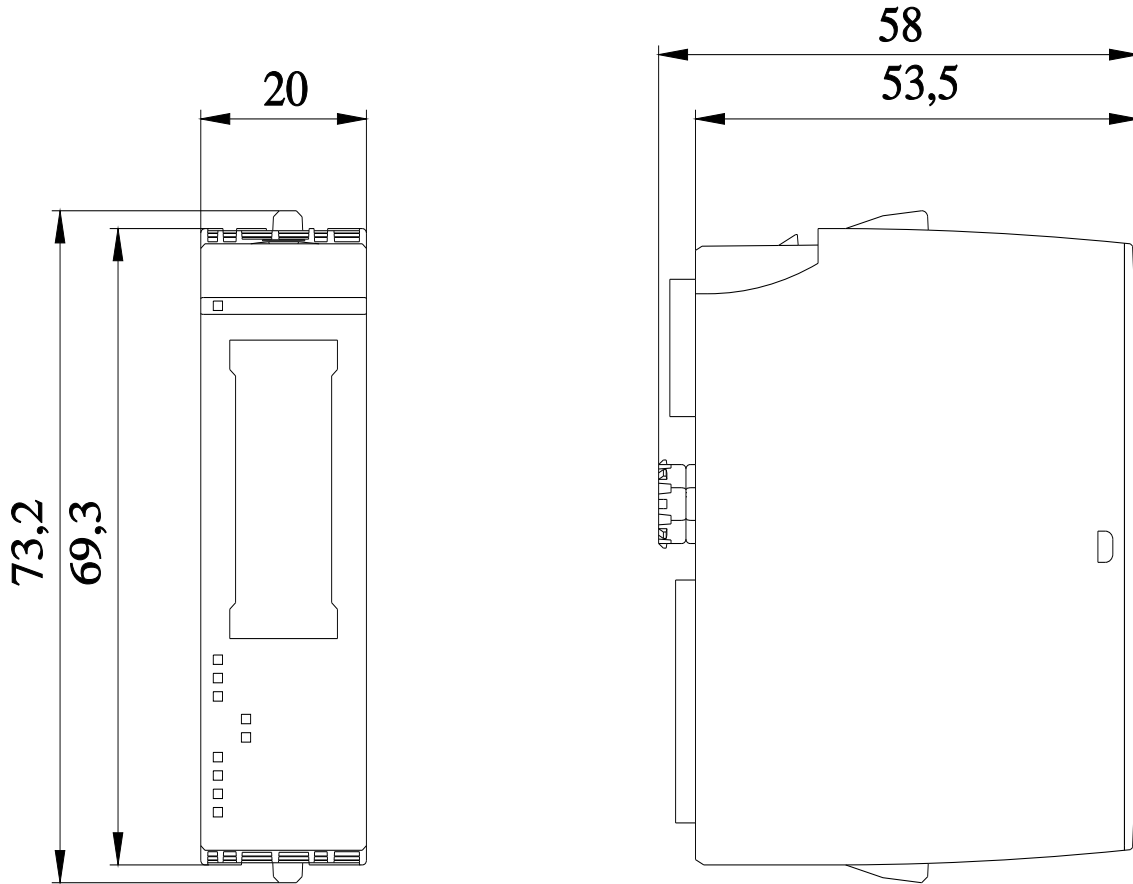
<http://support.automation.siemens.com/WW/CAXorder/default.aspx?lang=en&mlfb=3RK7137-6SA00-0BC1>

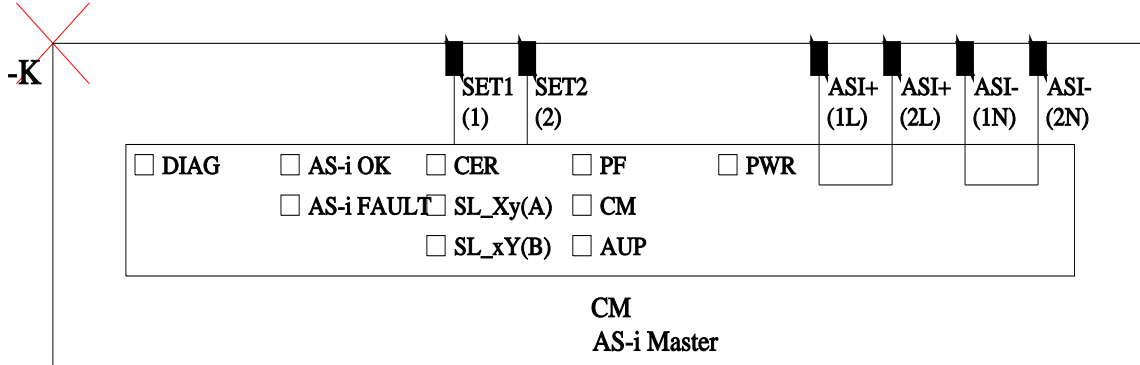
Service&Support (Manuals, Certificates, Characteristics, FAQs,...)

<https://support.industry.siemens.com/cs/ww/en/ps/3RK7137-6SA00-0BC1>

Image database (product images, 2D dimension drawings, 3D models, device circuit diagrams, EPLAN macros, ...)

[http://www.automation.siemens.com/bilddb/cax\\_de.aspx?mlfb=3RK7137-6SA00-0BC1&lang=en](http://www.automation.siemens.com/bilddb/cax_de.aspx?mlfb=3RK7137-6SA00-0BC1&lang=en)





last modified:

1/18/2021