

Load feeder fuseless direct-on-line starting, 400 V AC Size S00 2.8-4 A, 24 V DC 1 NO (contactor), Screw terminal on 60 mm busbar adapter Type of coordination 1, Iq = 50 kA !!! Phased-out product !!! Successor is SIRIUS 3RA2 Preferred successor type is >>3RA2110-1ED15-1BB4<<



Figure similar

Product brand name	SIRIUS
Product designation	non-fused load feeder
Design of the product	direct starter
Manufacturer's article number	<ul style="list-style-type: none"> • of the supplied contactor 3RT1015-1BB41 • of the supplied circuit-breakers 3RV1011-1EA10 • of the supplied busbar adapter 8US1251-5DM07 • of the supplied link module 3RA1911-1AA00

General technical data	
Size of load feeder	S00
Product extension	Yes
<ul style="list-style-type: none"> • Auxiliary switch 	
Insulation voltage	690 V
<ul style="list-style-type: none"> • rated value 	
Degree of pollution	3
Surge voltage resistance rated value	6 kV
Protection class IP	

• on the front	IP20
Shock resistance	9.8g
Mechanical service life (switching cycles)	
• of contactor typical	30 000 000
Type of assignment	1
Certificate of suitability	UL / CSA / CCC / GL / LRS / BV / DNV / PRS
Reference code acc. to DIN 40719 extended according to IEC 204-2 acc. to IEC 750	Q
Reference code acc. to DIN EN 81346-2	Q
Reference code acc. to DIN EN 61346-2	Q

Ambient conditions

Installation altitude at height above sea level	
• maximum	2 000 m

Main circuit

Number of poles for main current circuit	3
Design of the switching contact	electromechanical
Adjustable pick-up value current of the current-dependent overload release	2.8 ... 4 A
Type of the motor protection	bimetal
Operating voltage	
• at AC-3 rated value maximum	400 V
Operating current	
• at AC-3	
— at 400 V rated value	3.6 A
Operating power	
• at AC-3	
— at 400 V rated value	1.5 kW
No-load switching frequency	15 1/s

Control circuit/ Control

Type of voltage of the control supply voltage	DC
Control supply voltage 1	
• at DC rated value	24 V

Auxiliary circuit

Number of NO contacts for auxiliary contacts	1
---	---

Protective and monitoring functions

Maximum short-circuit current breaking capacity (I_{cu})	
• at 400 V rated value	50 kA

Short-circuit protection

Product function Short circuit protection	Yes
Design of short-circuit protection	circuit-breakers

Installation/ mounting/ dimensions

Mounting position	with vertical mounting surface +/-90° rotatable, with vertical mounting surface +/- 22.5° tiltable to the front and back
Mounting type	snap-on mounting
Height	203 mm
Width	45 mm
Depth	128 mm
Busbar center-to-center spacing	60 mm
Required spacing	
<ul style="list-style-type: none"> • with side-by-side mounting <ul style="list-style-type: none"> — at the side • for grounded parts <ul style="list-style-type: none"> — forwards — Backwards — upwards — at the side • for live parts <ul style="list-style-type: none"> — forwards — Backwards — downwards — at the side 	<ul style="list-style-type: none"> 0 mm 10 mm 0 mm 20 mm 9 mm 10 mm 9 mm 0 mm 20 mm

Connections/Terminals

Type of electrical connection	
<ul style="list-style-type: none"> • for main current circuit 	screw-type terminals
Type of connectable conductor cross-sections	
<ul style="list-style-type: none"> • for main contacts <ul style="list-style-type: none"> — solid — stranded — finely stranded with core end processing • at AWG conductors for main contacts 	<ul style="list-style-type: none"> 0.5 ... 4 mm², 2x (0.75 ... 2.5 mm²) 0.5 ... 4 mm², 2x (0.75 ... 2.5 mm²) 0.5 ... 2.5 mm², 2x (0.5 ... 2.5 mm²) 2x (18 ... 14)
Connectable conductor cross-section for main contacts	
<ul style="list-style-type: none"> • single or multi-stranded • stranded • finely stranded with core end processing 	<ul style="list-style-type: none"> 0.5 ... 4 mm² 0.5 ... 4 mm² 0.5 ... 2.5 mm²
AWG number as coded connectable conductor cross section	
<ul style="list-style-type: none"> • for main contacts 	18 ... 14

Communication/ Protocol

Protocol is supported	
<ul style="list-style-type: none"> • PROFIBUS DP protocol 	No

• PROFINET protocol	No
Product function Bus communication	No
Protocol is supported	
• AS-interface protocol	No

Inputs/ Outputs	
Number of digital inputs	0

Certificates/approvals			
General Product Approval	For use in hazardous locations	Declaration of Conformity	Marine / Shipping



[Miscellaneous](#)



Marine / Shipping	other
-------------------	-------



[Confirmation](#)

Further information

Information- and Downloadcenter (Catalogs, Brochures,...)

<http://www.siemens.com/industrial-controls/catalogs>

Industry Mall (Online ordering system)

<https://mall.industry.siemens.com/mall/en/en/Catalog/product?mlfb=3RA1110-1ED15-1BB4>

Cax online generator

<http://support.automation.siemens.com/WW/CAXorder/default.aspx?lang=en&mlfb=3RA1110-1ED15-1BB4>

Service&Support (Manuals, Certificates, Characteristics, FAQs,...)

<https://support.industry.siemens.com/cs/ww/en/ps/3RA1110-1ED15-1BB4>

Image database (product images, 2D dimension drawings, 3D models, device circuit diagrams, EPLAN macros, ...)

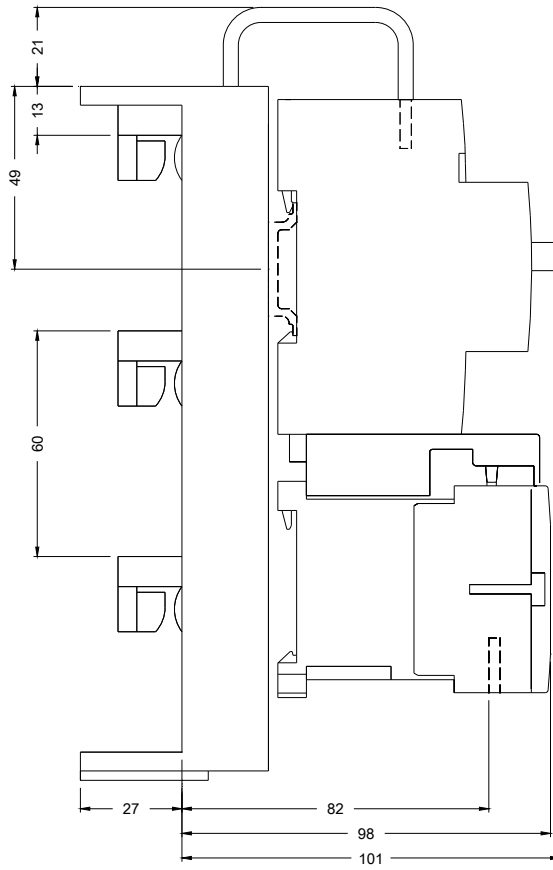
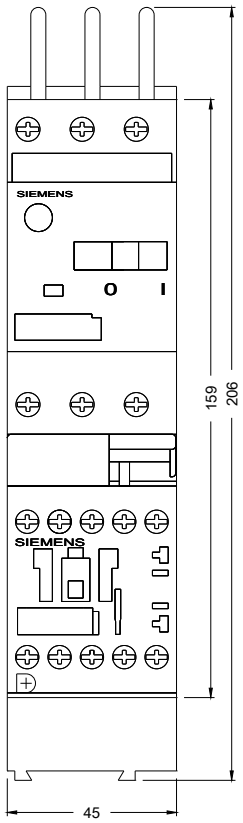
http://www.automation.siemens.com/bilddb/cax_de.aspx?mlfb=3RA1110-1ED15-1BB4&lang=en

Characteristic: Tripping characteristics, I_t, Let-through current

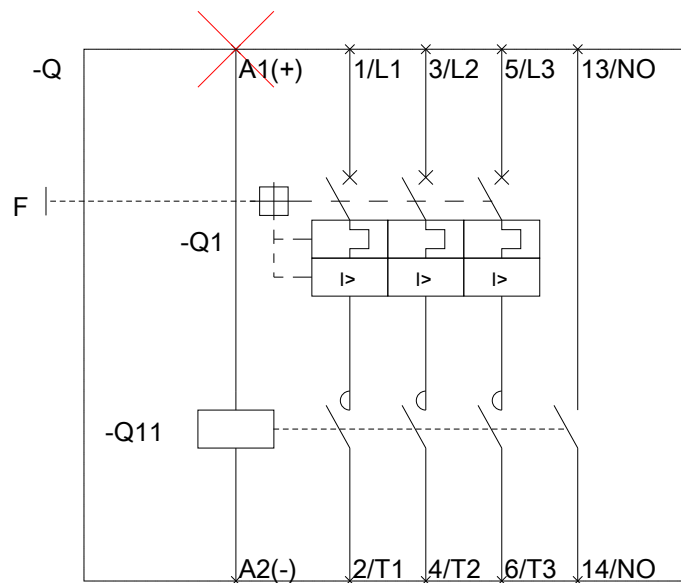
<https://support.industry.siemens.com/cs/ww/en/ps/3RA1110-1ED15-1BB4/char>

Further characteristics (e.g. electrical endurance, switching frequency)

<http://www.automation.siemens.com/bilddb/index.aspx?view=Search&mlfb=3RA1110-1ED15-1BB4&objectype=14&gridview=view1>



3RA1110_00000472_001_ALL



last modified:

05/07/2019