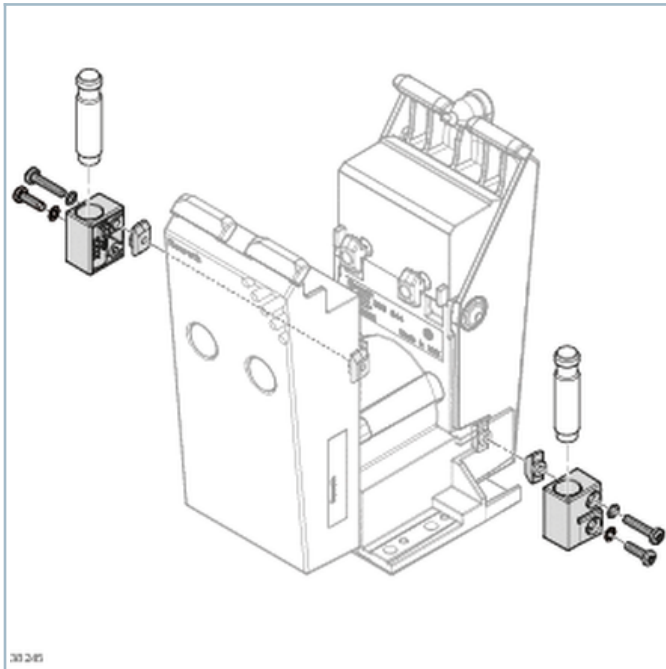


## VF position inquiry



- The switch bracket can be installed in any position

## Product description

The following is required for position inquiry:

- 2x sensor M12x45, 3 842 557 633
  - 1x switch bracket SH 2/HQ-R, 3 842 557 606
  - 1x switch bracket SH 2/HQ-L, 3 842 557 607
- 

## Ordering codes

	No.
M12x45 sensor	3842557633
SH 2/HQ-R position inquiry	3842557606
SH 2/HQ-L position inquiry	3842557607