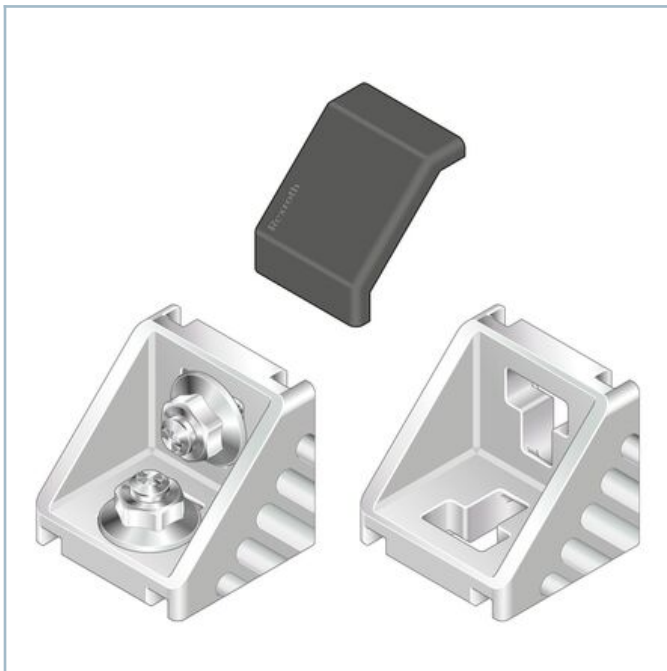








Bracket 45/45



- Brackets with centering lugs for rapid, precise assembly with protection against turning
- Centering lugs can be easily broken off for assembly on plates or at right angles to the slot
- Version *designLINE* with special silver paint (RAL 9006) for an especially high-quality design
- Sliding block offset for off-center positioning of the 45/45 bracket
- Cover cap to protect from dirt, available in signal gray (RAL 7004) and black ESD (RAL 9005)

- Profile finishing: not required

Ordering codes

	Groove	ESD	FS	No.
Bracket 45x45 set (standard) ¹⁾	10		2xFS7	3842523561
Bracket 45x45 set design <i>LINE</i> ¹⁾	10		2xFS7	3842551606
Bracket (standard) 45x45	10			3842523558
Cover cap for bracket 45/45, signal gray				3842548862
Cover cap for bracket 45/45, black				3842548863
Bracket 45x45 offset sliding block	10			3842523593

1) Set incl. fastening material