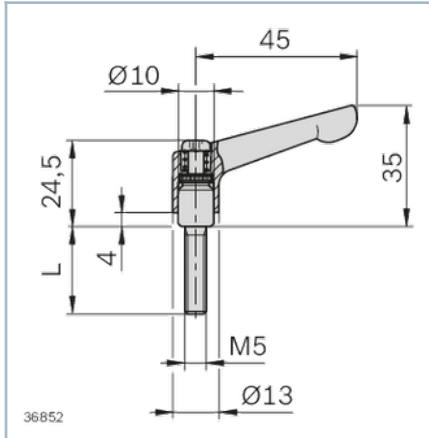


- Clamping elements for adjustable connections

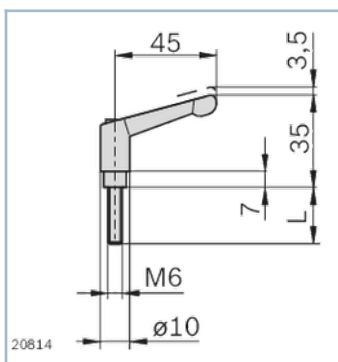
Technical data

No.	Material
3842505144	Diecast zinc; black plastic coated
3842528540	Lever: diecast zinc; black plastic coated
3842528539	Screws: steel; galvanized and black chrome-plated
3842516845	
3842522124	
3842516846	Clamping lever: diecast zinc; black plastic coated
3842516847	Steel parts: galvanized, strength class 5.8
3842538607	
3842516848	

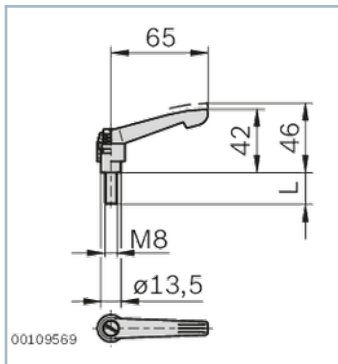
Dimensions



Clamping lever M6



Clamping lever M8



Ordering codes

	L No.	
	mm	
Clamping lever for joint 60x45 60x60	10	3842505144
Clamping lever M6x25	25	3842528540
Clamping lever M6x40	40	3842528539
Clamping lever M8 L12	12	3842516845
Clamping lever M8 L16	16	3842522124
Clamping lever M8 L20	20	3842516846
Clamping lever M8 L40	40	3842516847
Clamping lever M8 L45	45	3842538607
Clamping lever M8 L55	55	3842516848