

# HF **HeadlineFilters**

## Model: 360A (1/4" NPT)

### Replacement Parts List

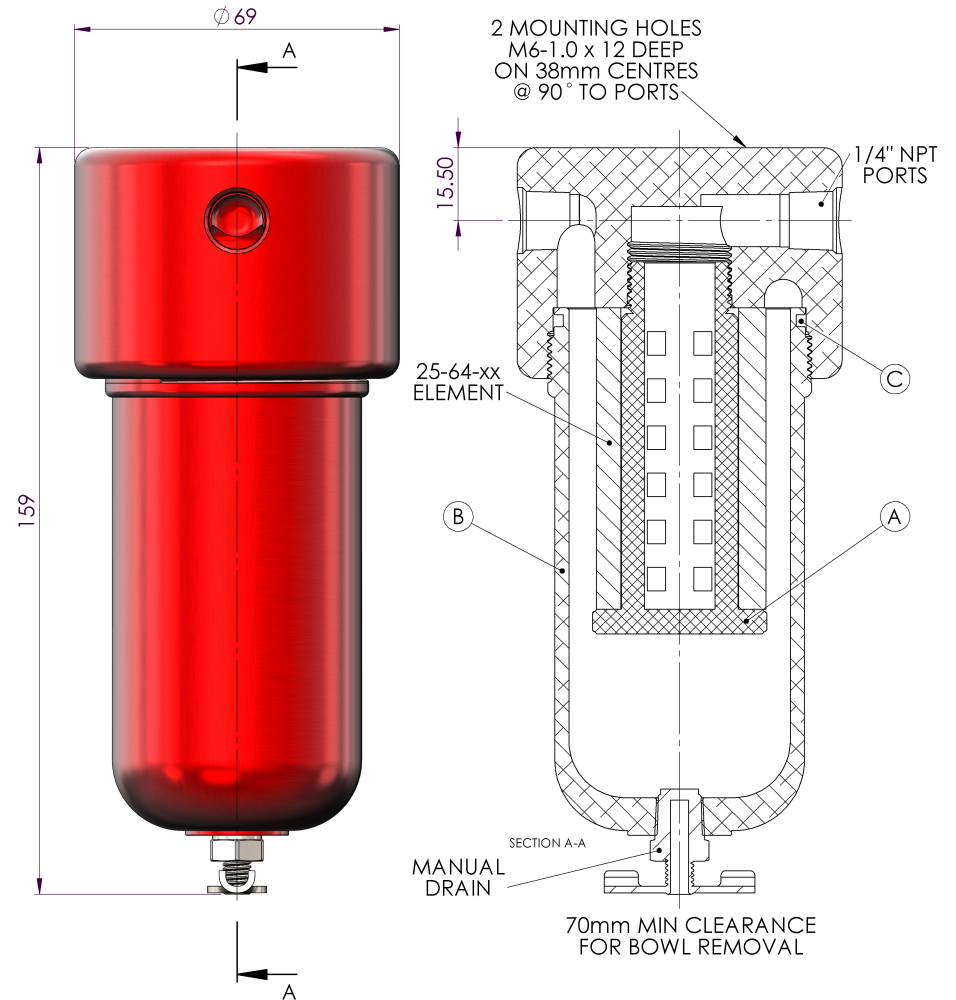
25-64-xx	Disposable Filter Element
SS-25-64-xx	Stainless Steel Filter Element
PT-25-64-xx	PTFE Filter Element
TR360	Tie Rod / Element Support (A)
AB360	Aluminum Bowl w/ O-Ring (B)
NB360	Nylon Bowl (Not Pictured)
PB360	Polycarbonate Bowl (Not Pictured)
MB360	Mounting Bracket (Not Pictured)

Oxygen Cleaning Service Available

Note – Please replace “xx” with micron rating or grade

### Available O-Rings

GN360A	Nitrile (Standard) (C)
GV360	Viton
KZ360	Kalrez™
GS360	Silicone



Headline Filters Limited Mill Hall Business Estate Aylesford Kent, ME20 7JZ www.headlinefilters.com info@headlinefilters.com	<h2>Model 360A</h2>		THE COPYRIGHT OF THIS DRAWING IS RESERVED BY HEADLINE FILTERS. IT IS ISSUED ON CONDITION THAT IT IS NOT COPIED, REPRODUCED OR DISCLOSED TO A THIRD PARTY EITHER WHOLLY, OR IN PART WITHOUT CONSENT IN WRITING.
	<b>Material:</b> <b>Head:</b> Anodized 6082-T6 Aluminum <b>Bowl:</b> Anodized 6082-T6 Aluminum <b>Internals:</b> Nylon <b>Standard Gasket / O-ring:</b> Nitrile	<b>Drain Type:</b> Manual Brass Petcock <b>Maximum Temperature:</b> 120°C <b>Maximum Pressure:</b> 16 Bar <b>Internal Volume:</b> 165 cc <b>Weight:</b> 500g	
<b>DO NOT SCALE DRAWING                  IF IN DOUBT ASK</b>	<b>Drawing No. HF4/1627</b>		