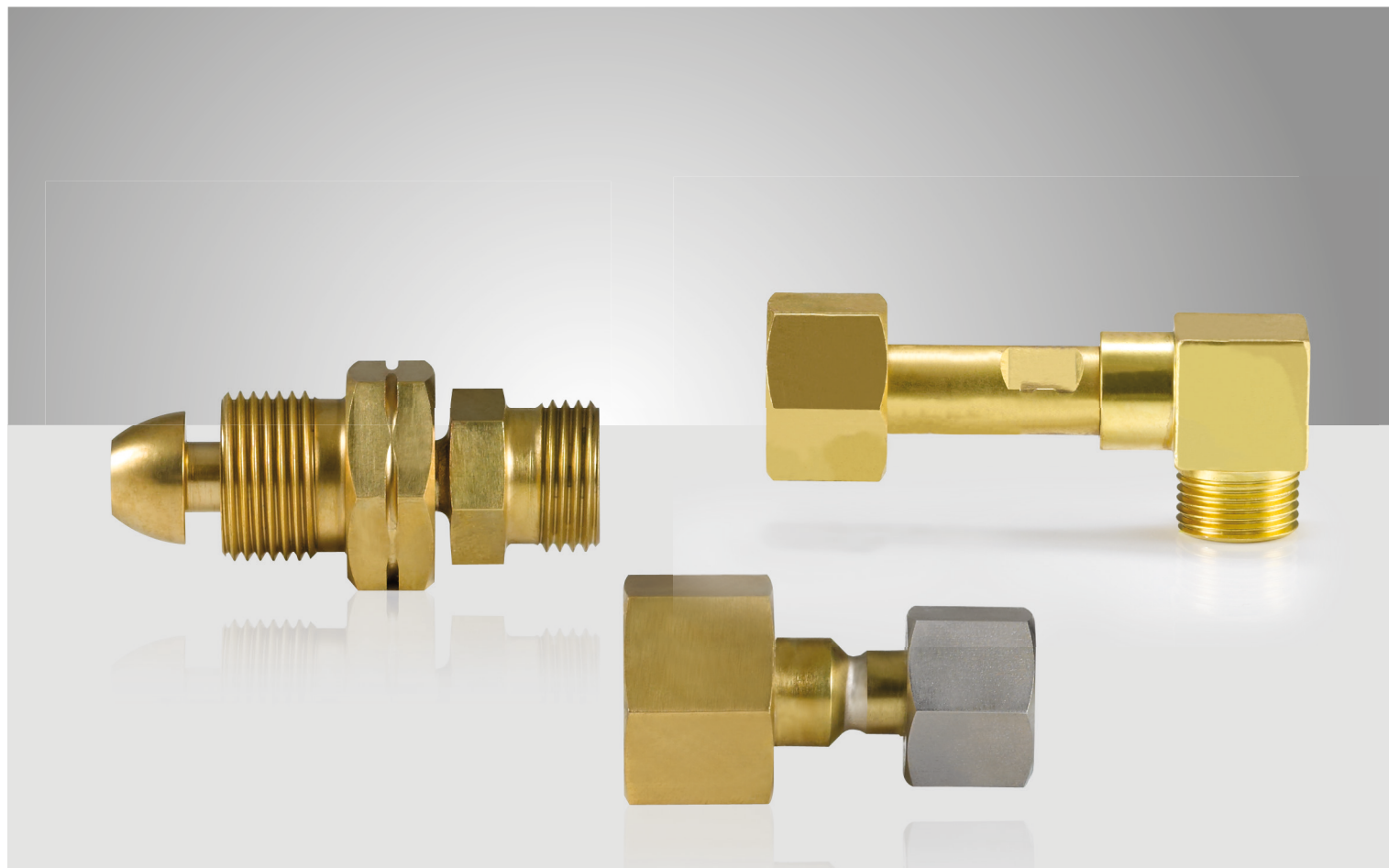


DILO SF₆ bottle connections



DILO offers a wide range of connections suitable for all commercial SF₆ bottles. Thus safe and quick connection of hoses of DILO service carts or SF₆ gas refilling devices to the SF₆ gas bottles is guaranteed. This refers to bottle connections for new gas as well as for reuse gas.

The suitable connecting parts must be ordered separately.

■ DILO SF₆ bottle connections

■ 3-316-R001	SF ₆ bottle connection	130
■ 3-858-R001	Angle SF ₆ bottle connection	131
■ 3-643-R001	Chinese SF ₆ bottle connection	132
■ 3-643-R002	Chinese SF ₆ bottle connection	133
■ 3-245-R001	American SF ₆ bottle connection	134
■ 3-334-R002	American SF ₆ bottle connection	135
■ 3-245-R002	English SF ₆ bottle connection	136
■ 3-245-R004	English SF ₆ bottle connection	137
■ 3-851-R002	Connection for reuse gas bottle	138
■ 3-851-R003	Connection for reuse gas bottle	139
■ 3-858-R002	Angle for connection of reuse gas bottle	140
■ 6-1037-R050	Storage connecting hose DN20	141
■ 6-1041-R050	Storage connecting hose DN8	142

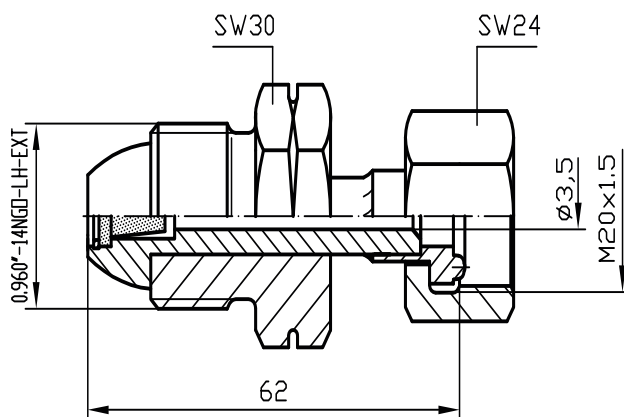
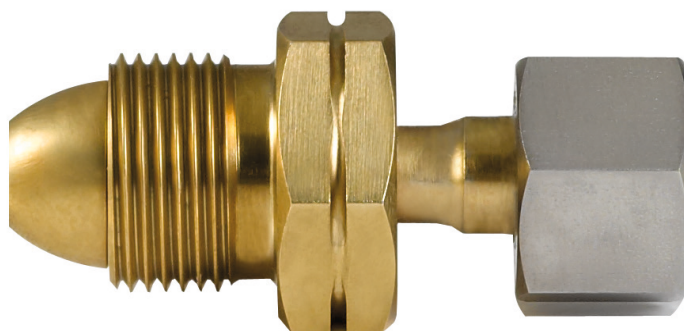
PN64 DN8

American SF₆ bottle connection 0.960"-14NGO-LH-EXT - CGA 590

Order No.: 3-334-R002 P

Material: Stainless steel / Brass

American SF₆ bottle



Suitable connecting parts

