



Cembre

MAKING THE RIGHT CONNECTIONS

2A10-M10

50mm² Heavy duty copper tube crimping lug with double length barrel M10 stud



General Information

Material Code	2502070
---------------	---------

Weight per Piece	28.4
------------------	------

Weight Unit of Measure	G
------------------------	---

Commodity Code (Export Code)	85369010
------------------------------	----------

Country of Origin	IT
-------------------	----

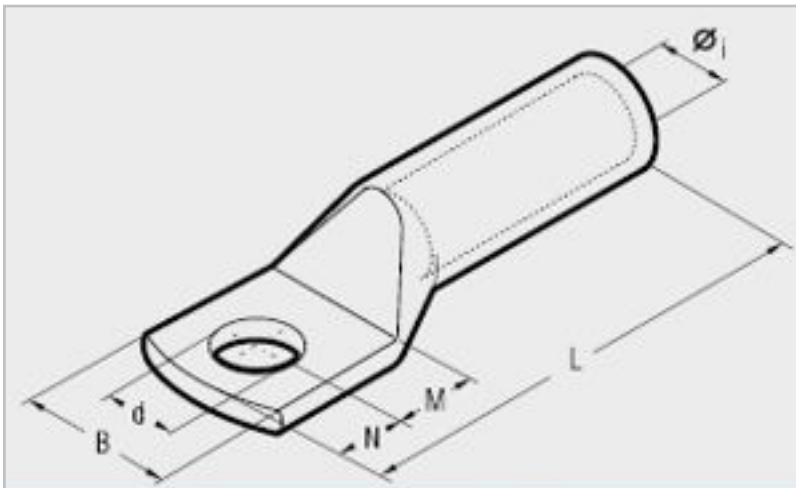
Dunton Park, Kingsbury Road
Curdworth, Sutton Coldfield
West Midlands

T: 01675 470440 E: sales@cembre.co.uk W: <http://www.cembre.co.uk>

Technical

Conductor Size Min (mm²)	50
Conductor Size Max (mm²)	50
Conductor Type	Copper
Terminal Type	Stud hole
Palm Type	Straight
Stud Size	M10
Max. Voltage Rating (kV)	33
Inspection Hole	No
Suitable for Indoor Use? (no exposure to water or moisture)	Yes
Suitable for Outdoor Use? (exposure to water and moisture)	Yes
Insulated?	No
Flammability Rating (UL94)	N/A
Max. Operating Temperature (°C)	150
Surge Operating Temperature (°C)	160
Min. Operating Temperature (°C)	-40
UL Listed?	Yes
UL Listing File Number	E125401

Datasheet generated from <https://onetimepim.com> last updated Wednesday, January 4, 2023 4:00:01 PM



Ø Stud mm	Ref.	Dimensions mm					
		Øi	B	M	N	L	d
8	2 A 3-M 8	5,8	15,0	9,0	8,0	43,5	8,4
10	2 A 3-M 10	5,8	18,0	11,0	10,0	47,5	10,5
8	2 A 5-M 8	7,0	15,0	9,0	8,0	51,0	8,4
10	2 A 5-M 10	7,0	18,0	11,0	10,0	55,0	10,5
12	2 A 5-M 12	7,0	21,0	14,0	12,0	60,0	13,2
8	2 A 7-M 8	8,9	17,0	9,0	8,0	53,0	8,4
10	2 A 7-M 10	8,9	19,0	11,0	10,0	57,0	10,5
12	2 A 7-M 12	8,9	21,0	14,0	12,0	62,0	13,2
10	2 A 10-M 10	10,0	20,0	11,0	10,0	63,0	10,5
12	2 A 10-M 12	10,0	21,0	14,0	12,0	68,0	13,2
14	2 A 10-M 14	10,0	25,0	16,0	14,0	72,0	15,0
16	2 A 10-M 16	10,0	26,0	18,0	16,0	76,0	17,0