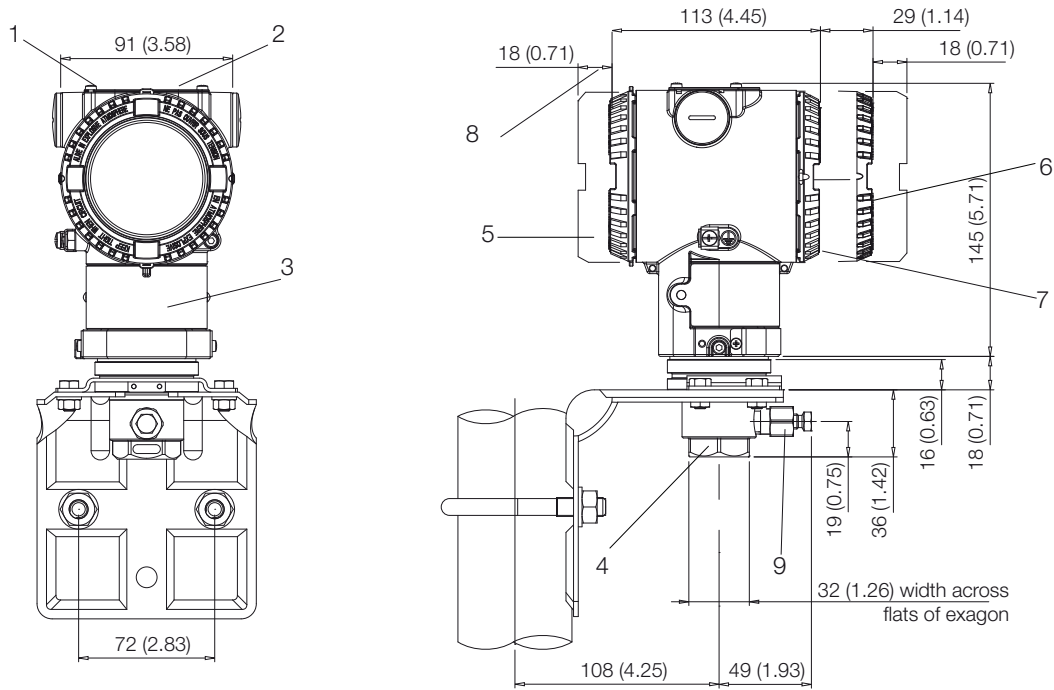


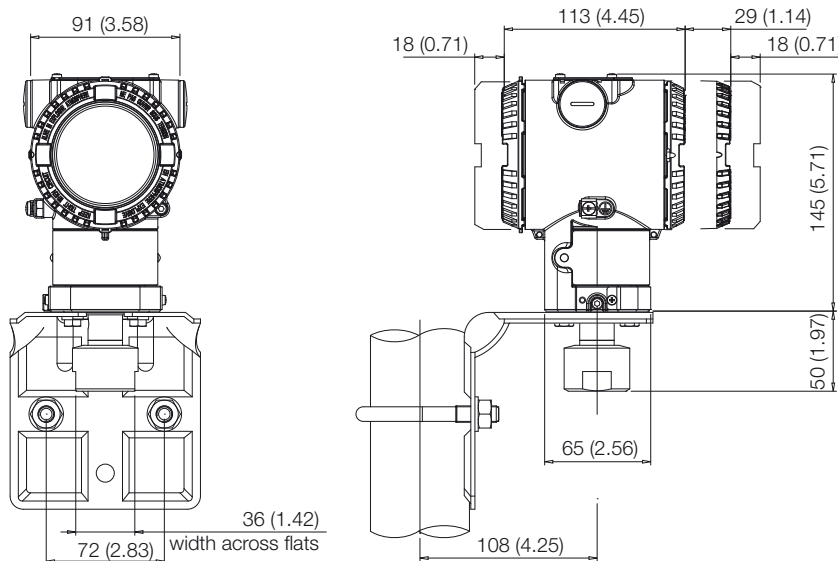
MOUNTING DIMENSIONS (not for construction unless certified) – dimensions in mm (in.)

Transmitter with barrel housing - 1/2 NPT female connection for sensor E to S



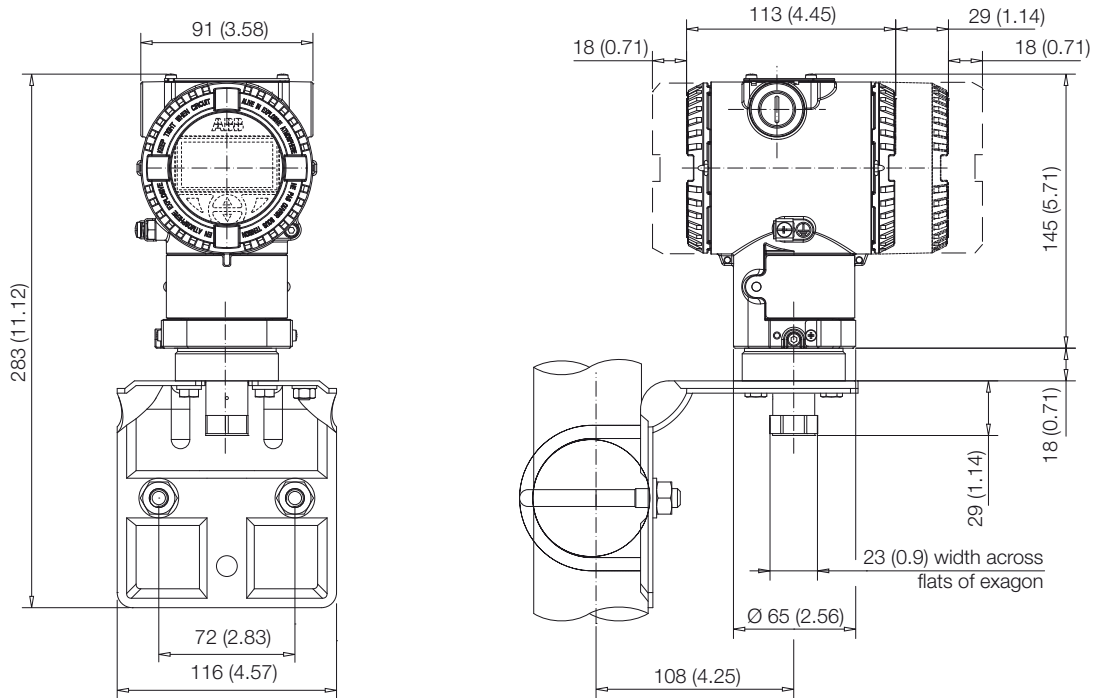
1 Adjustments | 2 Identification plate | 3 Certification plate | 4 Process connection | 5 Terminal side | 6 Integral display housing | 7 Electronic side | 8 Space for cover removal | 9 Drain/vent valve

Transmitter with barrel housing - 1/2 NPT female connection for sensor V

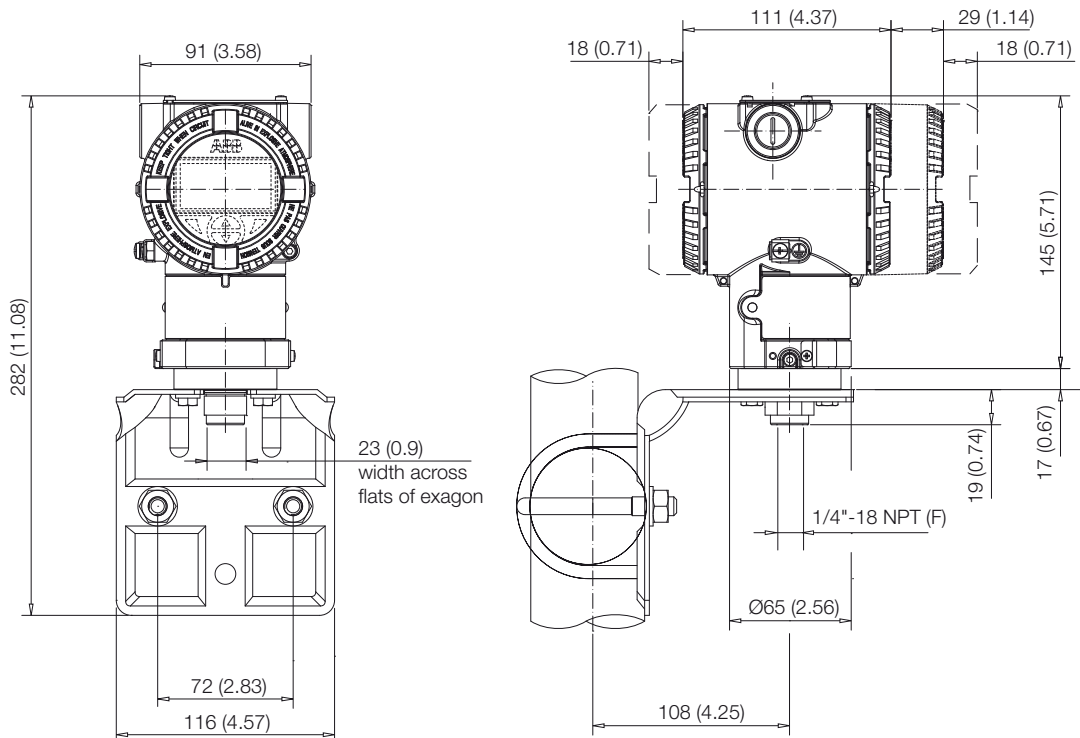


Model 266HSH Gauge Model 266NSH Absolute

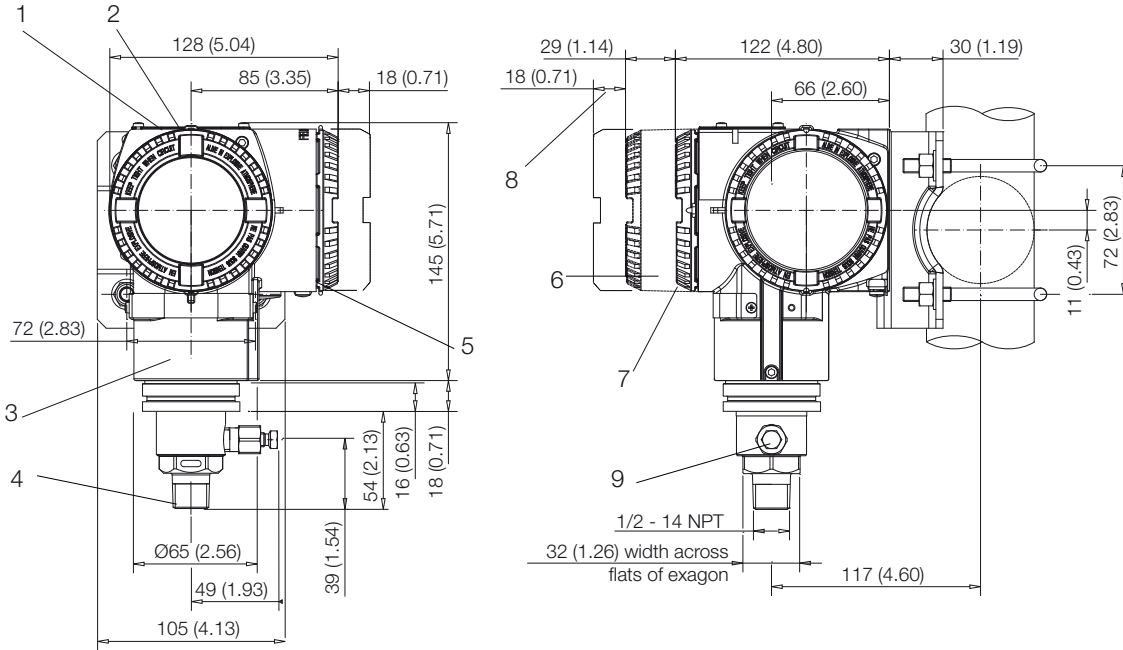
Transmitter with barrel housing - F250C female connection for sensor Z



Transmitter with barrel housing - 1/4 NPT female connection for sensor Z



Transmitter with DIN aluminium housing - 1/2 NPT male connection for sensor E to S



1 Adjustments | 2 Identification plate | 3 Certification plate | 4 Process connection | 5 Terminal side | 6 Integral display housing | 7 Electronic side | 8 Space for cover removal | 9 Drain/vent valve

Transmitter with DIN aluminium housing - 1/2 NPT male connection for sensor V

