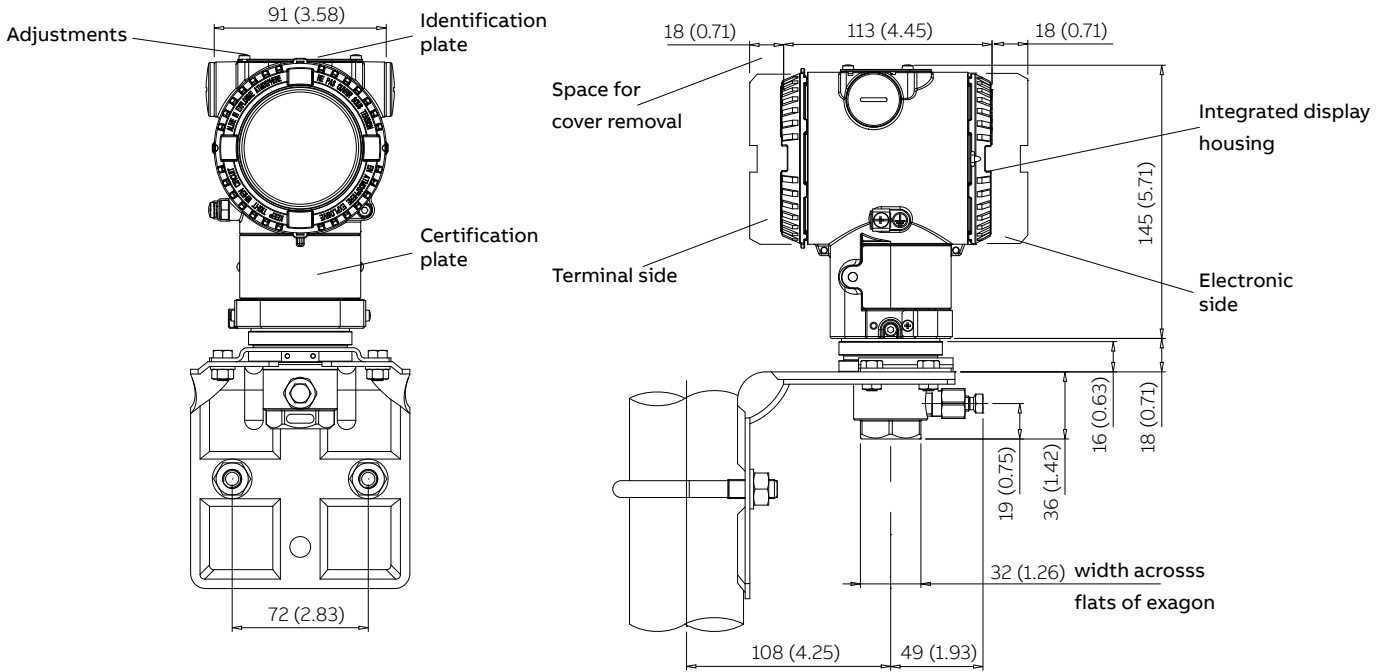


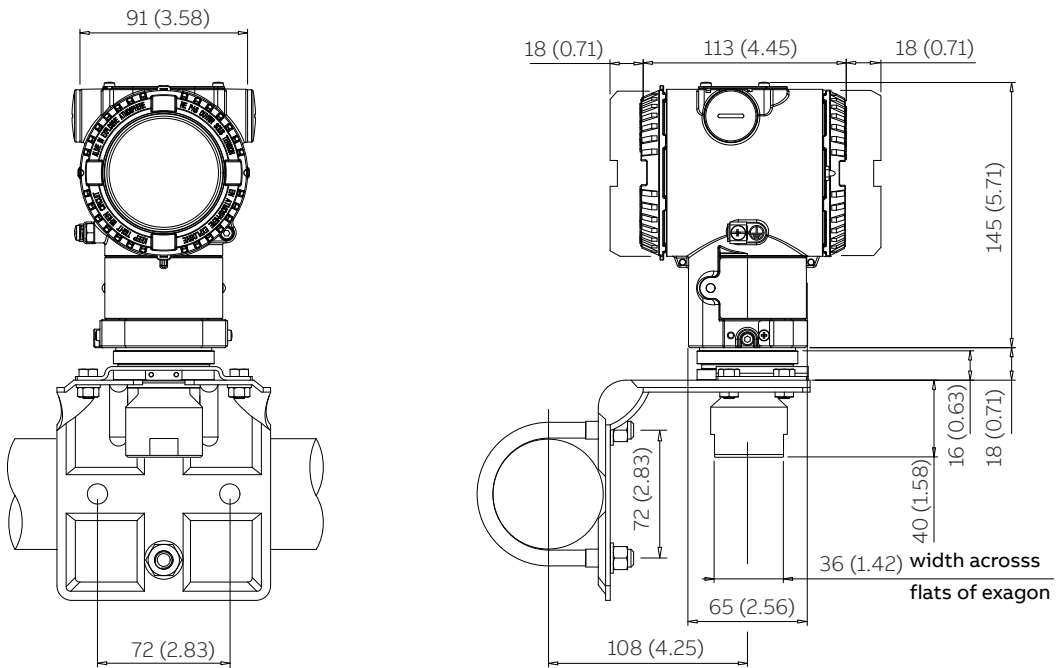
Dimensions

(not for construction unless certified) – dimensions in mm (in.)

266HSH Transmitter with barrel housing - 1/2 NPT female connection for sensor P, Q and S



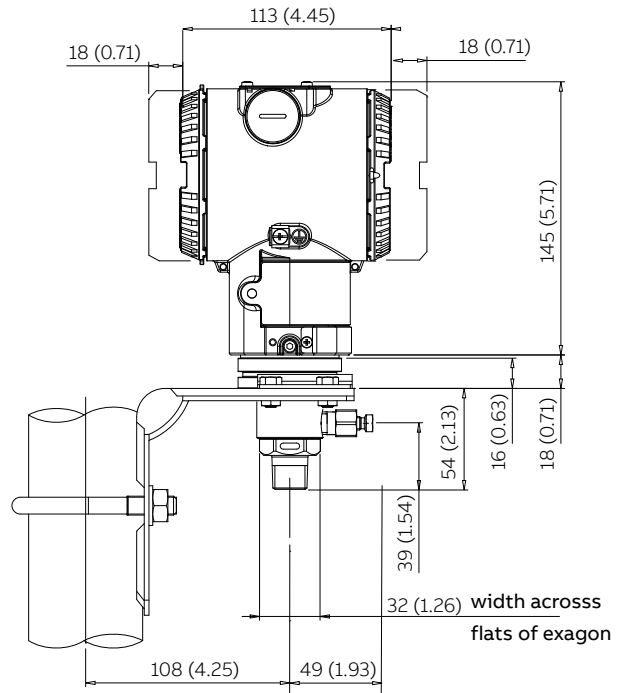
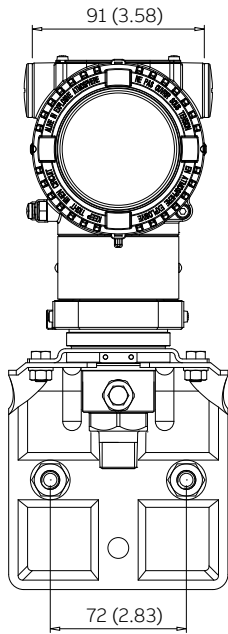
266HSH Transmitter with barrel housing - 1/2 in. NPT female connection for sensor W



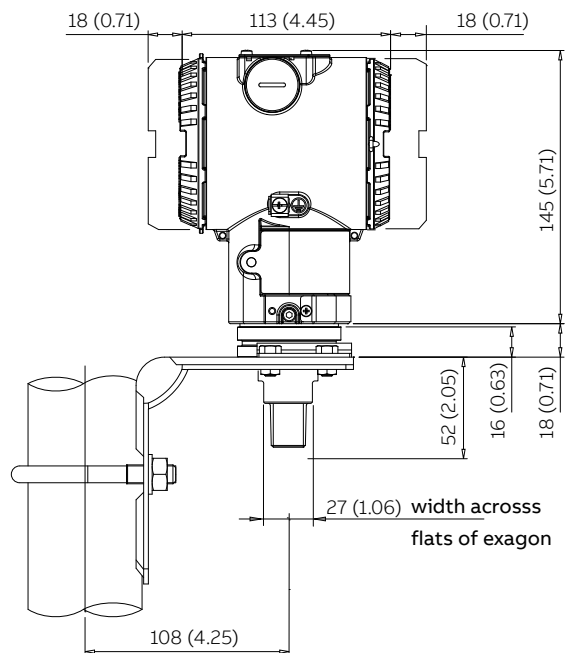
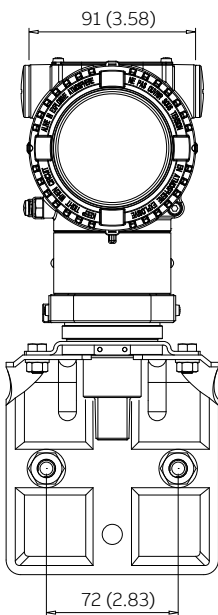
...Dimensions

(not for construction unless certified) – dimensions in mm (in.)

266HSH Transmitter with barrel housing - 1/2 NPT male connection for sensor P, Q and S

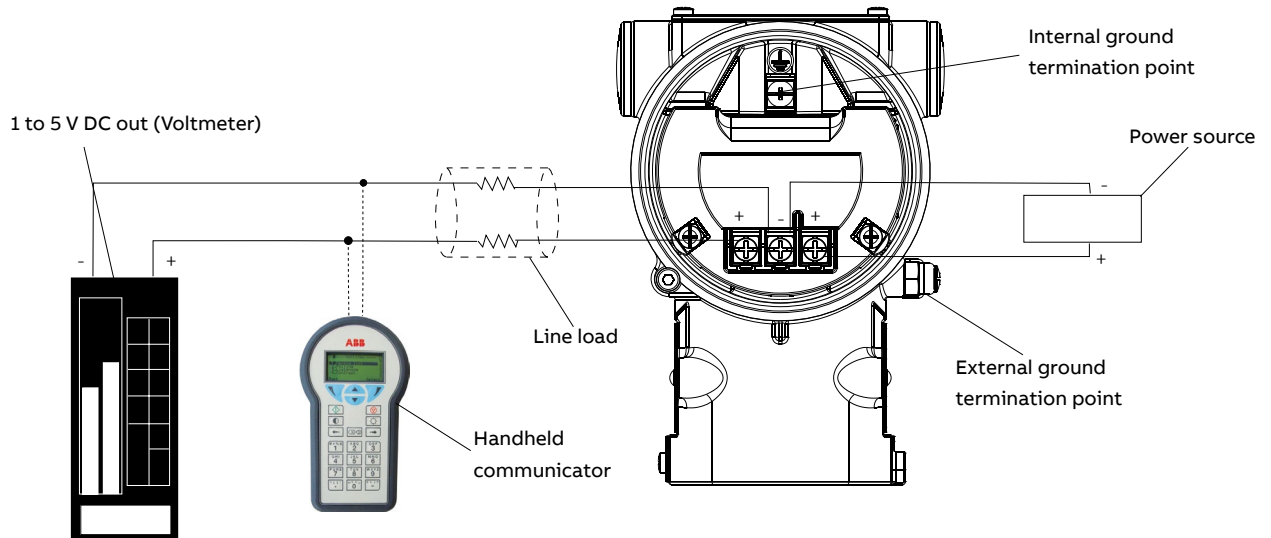


266HSH Transmitter with barrel housing - 1/2 NPT male connection for sensor W



Electrical connections

1...5 V DC HART Version



HART handheld communicator may be connected at any wiring termination point in the loop, providing the minimum resistance is 250 ohm. If this is less than 250 ohm, additional resistance should be added to allow communications.