

Dimensions

(not design data) – dimensions in mm (inch)

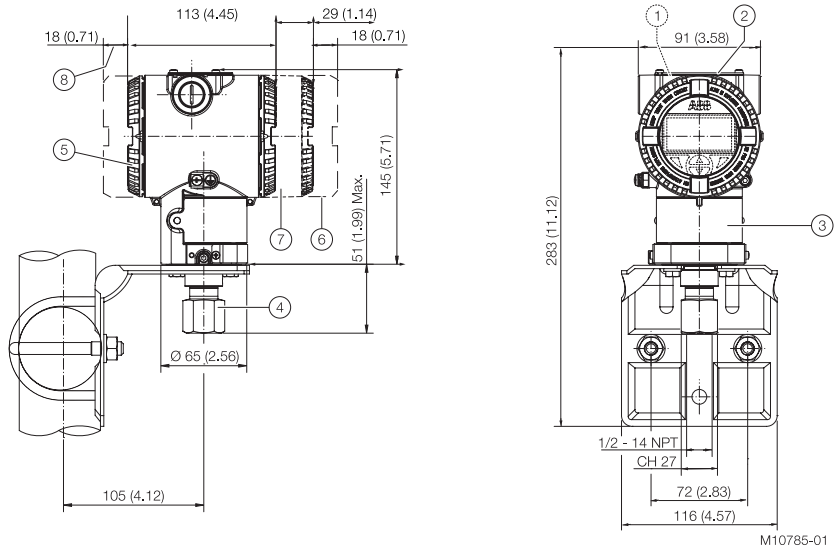
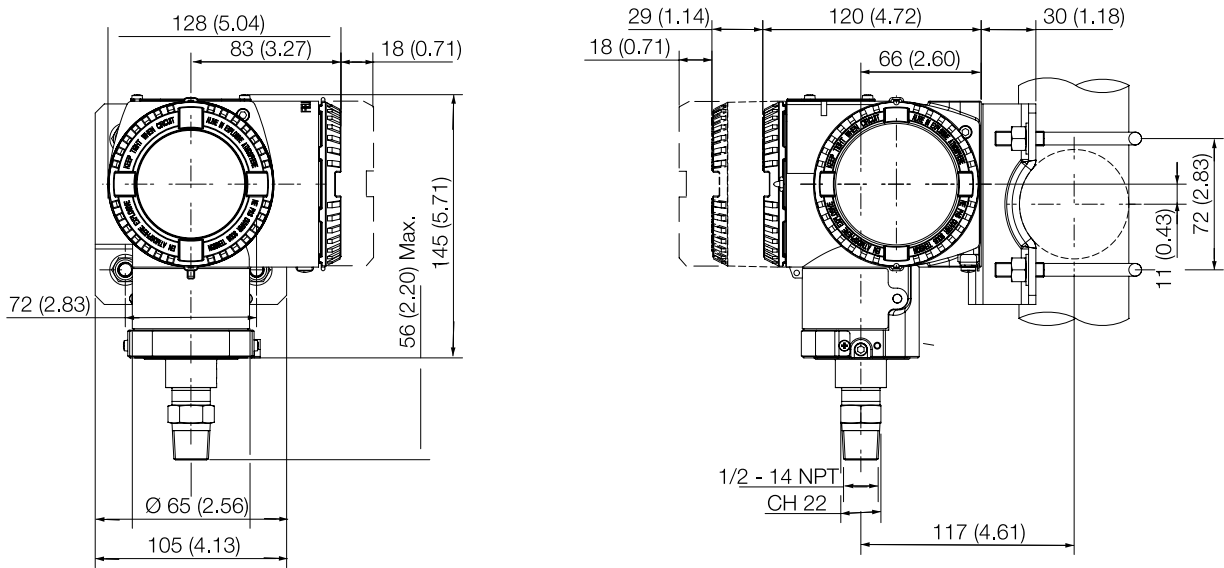


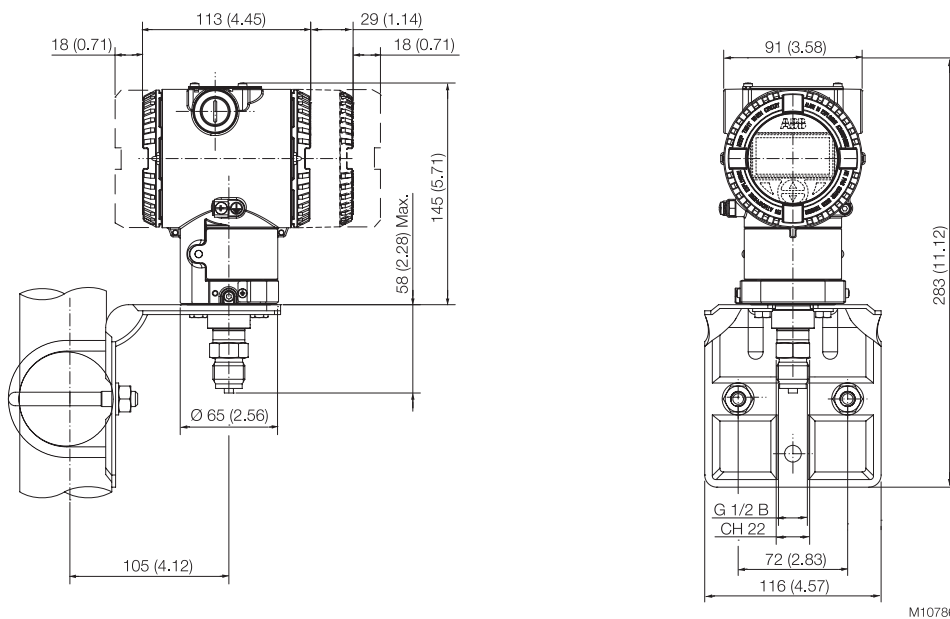
Figure 3 Dimensions - Barrel housing – 1/2 NPT female thread

- 1 Settings | 2 Name plate | 3 Certification plate | 4 Process connection | 5 Terminal side | 6 LCD display housing cover |
- 7 Electronics side | 8 Space for removing the cover



M10026

Figure 4 Dimensions - DIN aluminum housing - 1/2 NPT external thread



M10786

Figure 5 Dimensions - Barrel housing - DIN-EN837-1 G 1/2 B connection

...Dimensions

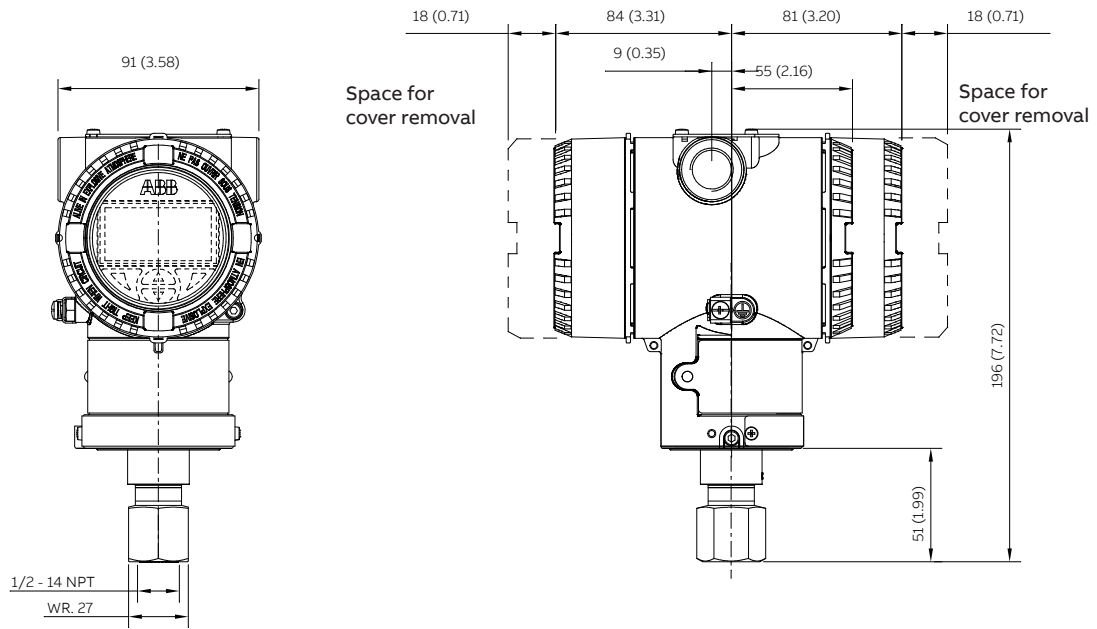


Figure 6 Dimensions - Barrel housing (266GST DDS) 1/2 NPT female thread