

26360, 80207 NAMUR, 3/2, 5/2 & 5/3 Indirect solenoid actuated spool valves



- > Port size: G 1/4 and NAMUR interface
- > For single and double operated actuators
- > Manual overrien with and without detent
- > Simple design of soft seal spool system
- > Easily interchangeable solenoid
- > Maintenance-free
- > All valves available with Ex protected coils (ATEX or other international approvals)



Technical features

Medium:

Compressed air, filtered, lubricated or non-lubricated

Operation:

Indirect solenoid operated T-spool valves

Operating pressure:

max. 10 bar (145 psi)
(see specifications)

Port size:

G 1/4

Flow direction:

Fixed

Mounting:

Optional, preferably with solenoid on top

Ambient/Media temperature:

-20° ... +60°C (-4° ... 140°F)

Depending on solenoid system

Air supply must be dry enough to avoid ice formation at temperatures below +2°C (+35°F).

Materials:

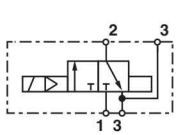
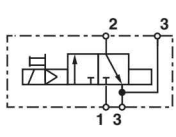
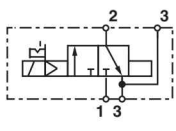
Housing: Aluminium anodised

Pilot flange: Plastic (POM)

Seals: NBR

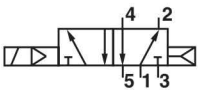
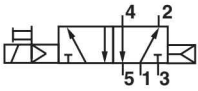
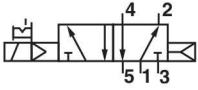
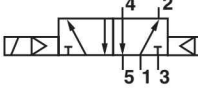
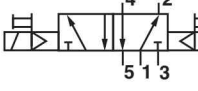
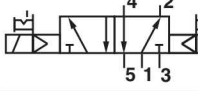
Technical data

3/2 way

Symbol	Port size		Operating pressure		Flow (l/min)	Switching time (ms)	Manual override with/without detent	Weight without solenoid (kg)	Dimension No.	Model *1)
	1 & 3	2 & 3	(bar) min.	max.						
	G 1/4	Flange	1	10	1200	35	-	0,24	1	8020745
	G 1/4	Flange	1	10	1200	35	without	0,24	1	8020746
	G 1/4	Flange	1	10	1200	35	with	0,24	1	8020747

*1) When ordering, please indicate solenoid, voltage and current (frequency).

5/2 way valve

Symbol	Port size		Operating pressure (bar)		Flow (l/min)	Switching time (ms)	Manual override with/without detent	Weight without solenoid (kg)	Dimension No.	Model *1)
	1, 3 & 5	2 & 4	min.	max.						
	G 1/4	Flange	1	10	1200	35	–	0,55	2	2636045
	G 1/4	Flange	1	10	1200	35	without	0,55	2	2636046
	G 1/4	Flange	1	10	1200	35	with	0,55	2	2636047
	G 1/4	Flange	1	10	1200	30	–	0,90	3	2636245
	G 1/4	Flange	1	10	1200	30	without	0,90	3	2636246
	G 1/4	Flange	1	10	1200	30	with	0,90	3	2636247

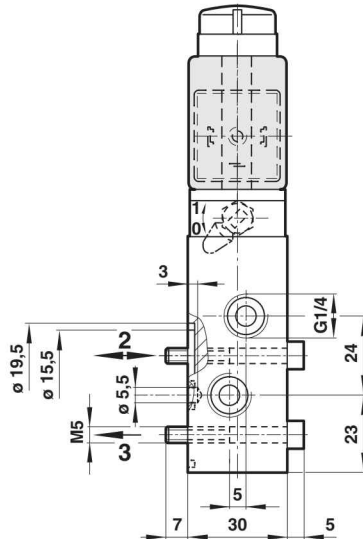
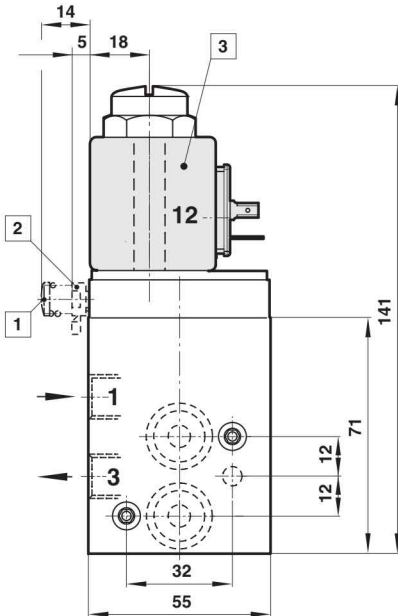
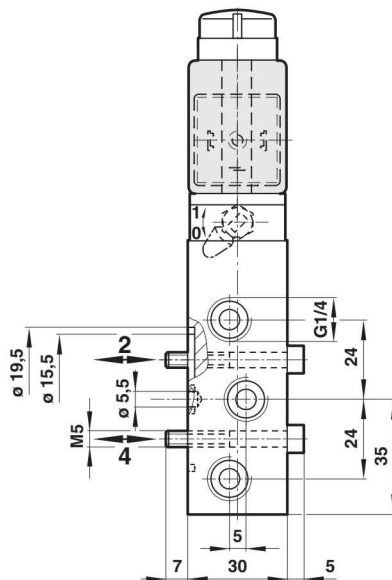
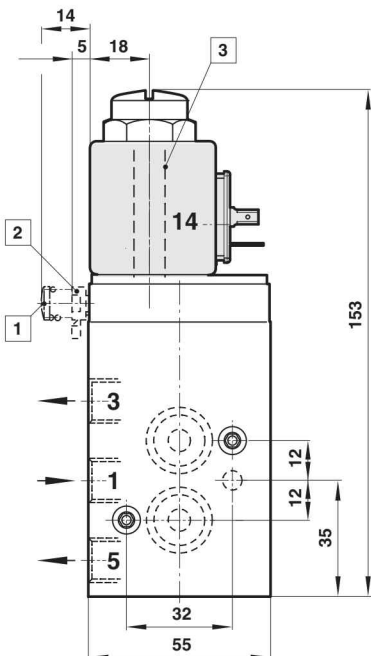
5/3 way valve

Symbol	Port size		Operating pressure (bar)		Flow (l/min)	Switching time (ms)	Manual override with/without detent	Weight without solenoid (kg)	Dimension No.	Model *1)
	1, 3 & 5	2 & 4	min.	max.						
	G 1/4	Flange	3	10	950	40	Mit	1,0	4	2636447

*1) When ordering, please indicate solenoid, voltage and current (frequency).

**Dimensions
Valves**

 Dimensions in mm
 Projection/First angle

1

2


- 1** Manual overrien without detent
- 2** Manual overrien with detent
- 3** Solenoid 4 x 90° turnable