

63 A

750 V

U MAXI

DECONTACTOR™ DXN6



MARECHAL ELECTRIC FRANCE

Ex II 2 GD Ex db eb IIC T* Gb
Ex tb IIIC T* Db
*-40 °C ≤ Ta ≤ +60 °C T4 T107 °C
-40 °C ≤ Ta ≤ +40 °C T5 T87 °C
IECEx LCI 09.0007X/LCIE 05 ATEX 6150X



IP66
IP67



6-16 mm² (1)
6-25 mm² (2)



GRP



IK09



-40 °C
+60 °C



AC-22



ATEX



1, 2,
21, 22

(1) Flexible wiring (min.-max.).
(2) Stranded wiring (min.-max.).



Other configurations
on request

TEMPERATURE RATING

Gas temperature classes	T5 for an ambient T° between -40 °C and +40 °C T4 for an ambient T° between -40 °C and +60 °C
Dust surface temperature classes	Surface T° ≤ 87 °C for an ambient T° between -40 °C and +40 °C Surface T° ≤ 107 °C for an ambient T° between -40 °C and +60 °C

STANDARDS

International and European IEC/EN standards	60079-0, 60079-1, 60079-7, 60079-31, 60309-1, 60309-4, 60947-3
Protection mode	db eb, tb

SOCKET-OUTLET

female
DXN6



INLET male
DXN6



20-24 V AC	2P	256408A	256808A
220-250 V AC	1P+N+E	2564015	2568015
380-440 V AC	3P+E	2564013	2568013
380-440 V AC	3P+N+E	2564017	2568017
480-500 V AC	3P+E	2564093	2568093
480-500 V AC	3P+N+E	2564097	2568097
550 V AC - Auxiliaries 5 A	+ 2 contacts	Ref. + 972	Ref. + 972






► Other currents, voltages, frequencies and contact configurations are available (see page 14).



Each socket outlet
or inlet must be
associated with a box,
a sleeve or a handle.



OPTIONS	Reference
LOCKING PIN FOR 2 PADLOCKS Ø 4 TO 8 mm (PADLOCK NOT SUPPLIED)	
	Socket-outlet ref. +843
SAFETY HASP FOR UP TO 6 PADLOCKS	
	613A541
LARGER RELEASE BUTTON	
	Ref. socket +453
INLET CAP IP66/IP67	
	256A426
IN-LINE CONNECTIONS (A PAIR OF FINGER DRAW PLATES TO AID CLOSING)	
	616A346
SELF CLOSING/SELF RETURNING LID	
	Socket-outlet ref.+R
COMPATIBILITY WITH DSN SOCKET-OUTLET (INDUSTRIAL RANGE)	
	Contact us.
SELF-EJECTION	
	See page 192

HANDLE	Cable outer Ø	Reference
POLY HANDLE WITH GLAND EX POLY		
	10-14 mm	256A25320P
	12-18 mm	256A753
	16-25 mm	256A25332P
	22-32 mm	256A25340P
POLY HANDLE WITH EX POLY GLAND FOR SELF-EJECTION OPTION		
	12-18 mm	256A443
	16-25 mm	256A44332P
	22-32 mm	256A44340P
STRAIGHT POLY HANDLE WITH METAL CABLE GLAND WITH EARTH CONTINUITY		
	8-10 mm	256A25320M
	12-14 mm	256A25325M
	18-24 mm	256A25332M

WALL BOX	Incline angle	Input/ Cable outer Ø	Reference
WALL BOX POLY WITH EX POLY CABLE GLAND			
	30°	12-18 mm	256AB53
WALL BOX POLY WITHOUT CABLE GLAND			
	30°	M25	256AB53418
WALL BOX POLY WITH EX POLY CABLE GLAND			
	70°	10-14 mm	256AB8820P
	70°	12-18 mm	256AB8825P
	70°	16-25 mm	256AB8832P
	70°	22-32 mm	256AB8840P
160 X 160 mm			
WALL BOX POLY WITH METAL CABLE GLAND WITH EARTH CONTINUITY			
	70°	8-10 mm	256AB8820M
	70°	12-14 mm	256AB8825M
	70°	18-24 mm	256AB8832M
160 X 160 mm			
WALL BOX POLY WITH TERMINAL BLOCKS (IECEx LCIE 16.0042X/LCIE 16 ATEX 3054X)			
	70°	10-14 mm	256A08820P ⁽¹⁾
	70°	12-18 mm	256A08825P ⁽¹⁾
	70°	16-25 mm	256A08832P ⁽¹⁾
	70°	22-32 mm	256A08840P ⁽¹⁾
160 X 160 mm			

IN THIS CONFIGURATION
 $U_{MAX} = 630 V$
 $-40^{\circ}C \leq T_a \leq +55^{\circ}C$ T4 T105° C
 $-40^{\circ}C \leq T_a \leq +50^{\circ}C$ T5 T95 °C

1. Delivered with two predrilled entries fitted with 1 cable gland and 1 stopping plug, 8+2 terminals up to 16 mm² with 16 mm² wires. Wiring : 6-16 mm². For other configurations, contact us.

SLEEVE	Incline angle	Reference
INCLINED POLY SLEEVE		
	30°	256A027
	70°	256A757

63 A

1000 V
U MAX II

ZONE 2-22 PLUGS & SOCKETS DXN6



MARECHAL ELECTRIC FRANCE

Ex II 3 GD Ex ec IIC T* Gc
 Ex tc IIIC T* Dc
 * -40 °C ≤ Ta ≤ +60 °C T4 T105 °C
 -40 °C ≤ Ta ≤ +40 °C T5 T85 °C
 TF: MAR X 23.0003



IP66
IP67



6-16 mm² (1)
10-25 mm² (2)



GRP



IK09



-40 °C
+60 °C



ATEX



2, 22

(1) Flexible wiring (min.-max.).
(2) Stranded wiring (min.-max.).



Other configurations
on request

TEMPERATURE RATING

Gas temperature classes	T5 for an ambient T° between -40 °C and +40 °C T4 for an ambient T° between -40 °C and +60 °C
Dust surface temperature classes	Surface T° ≤ 85 °C for an ambient T° between -40 °C and +40 °C Surface T° ≤ 105 °C for an ambient T° between -40 °C and +60 °C

STANDARDS

International and European IEC/EN standards	60079-0, 60079-7, 60079-31
Protection mode	ec, tc

SOCKET-OUTLET
female
DXN6



INLET male
DXN6








Voltage	Contact Configuration	Socket-Outlet Reference	Inlet Reference
20-24 V AC	2P	256408AMZ2	256808AMZ2
220-250 V AC	1P+N+E	2564015MZ2	2568015MZ2
380-440 V AC	3P+E	2564013MZ2	2568013MZ2
380-440 V AC	3P+N+E	2564017MZ2	2568017MZ2
480-500 V AC	3P+E	2564193MZ2	2568193MZ2
480-500 V AC	3P+N+E	2564197MZ2	2568197MZ2
400 V AC - Auxiliaries 16 A	+ 2 contacts	Ref. + 972MZ2	Ref. + 972MZ2



► Other currents, voltages, frequencies and contact configurations are available (see page 14).





Each socket outlet
or inlet must be
associated with a box,
a sleeve or a handle.

OPTIONS	Reference
SAFETY HASP FOR UP TO 6 PADLOCKS	
	613A541
LARGER RELEASE BUTTON	
	Ref. socket +453
INLET CAP IP66/IP67	
	256A426
IN-LINE CONNECTIONS (A PAIR OF FINGER DRAW PLATES TO AID CLOSING)	
	616A346
SELF CLOSING/SELF RETURNING LID	
	Socket-outlet ref.+R
COMPATIBILITY WITH DSN SOCKET-OUTLET (INDUSTRIAL RANGE)	
	Contact us.

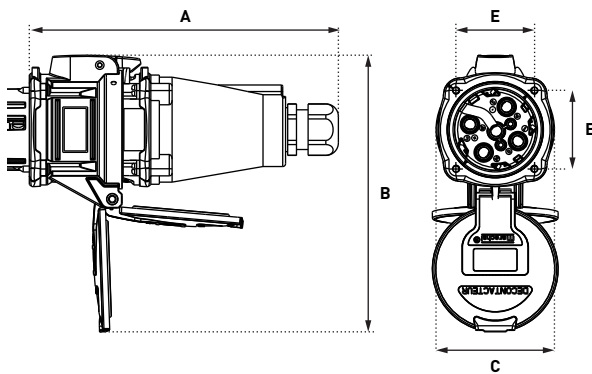
WALL BOX	Incline angle	Input/ Cable outer Ø	Reference
WALL BOX POLY WITH EX POLY CABLE GLAND			
	30°	12-18 mm	256AB53
WALL BOX POLY WITHOUT CABLE GLAND			
	30°	M25	256AB53418
WALL BOX POLY WITH EX POLY CABLE GLAND			
 160 X 160 mm	70°	10-14 mm	256AB8820P
	70°	12-18 mm	256AB8825P
	70°	16-25 mm	256AB8832P
	70°	22-32 mm	256AB8840P
WALL BOX POLY WITH METAL CABLE GLAND WITH EARTH CONTINUITY			
 160 X 160 mm	70°	8-10 mm	256AB8820M
	70°	12-14 mm	256AB8825M
	70°	18-24 mm	256AB8832M
WALL BOX POLY WITH TERMINAL BLOCKS (TF: MAR X 23.0003)			
 160 X 160 mm	70°	10-14 mm	Contact us
	70°	12-18 mm	Contact us
	70°	16-25 mm	Contact us
	70°	22-32 mm	Contact us

HANDLE	Cable outer Ø	Reference
POLY HANDLE WITH GLAND EX POLY		
	10-14 mm	256A25320P
	12-18 mm	256A753
	16-25 mm	256A25332P
	22-32 mm	256A25340P
STRAIGHT POLY HANDLE WITH METAL CABLE GLAND WITH EARTH CONTINUITY		
	8-10 mm	256A25320M
	12-14 mm	256A25325M
	18-24 mm	256A25332M

SLEEVE	Incline angle	Reference
INCLINED POLY SLEEVE		
	30°	256A027
	70°	256A757

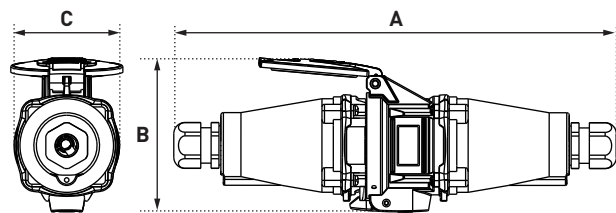
DRAWINGS AND DIMENSIONS

PLUG ON SOCKET-OUTLET



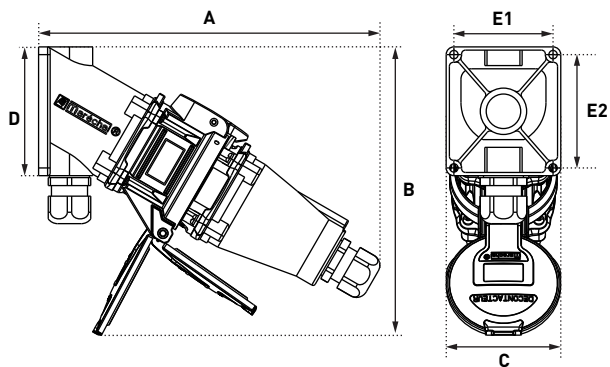
A	B	C	E
218	195	84	55

COUPLER



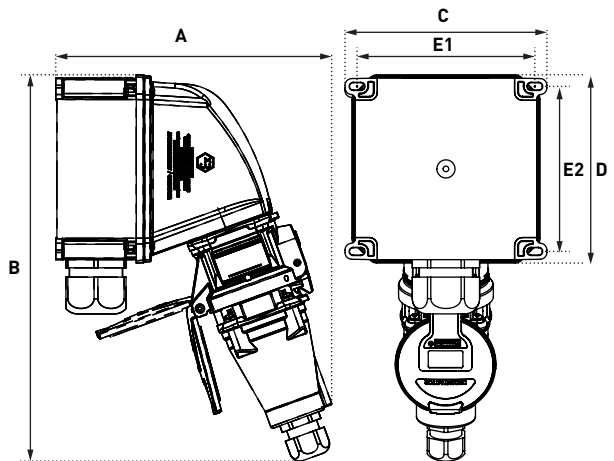
A	B	C
350	84	122

PLUG ON 30° WALL MOUNTED SOCKET OUTLET



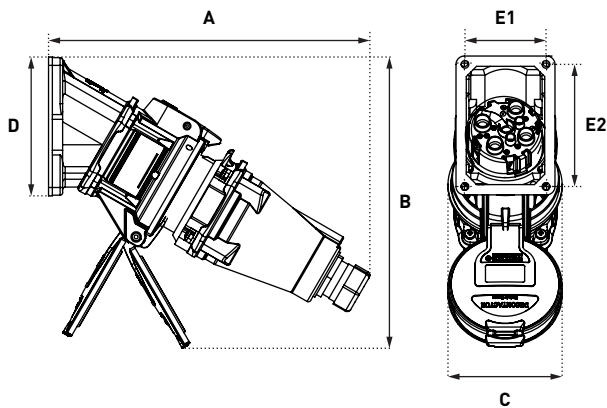
A	B	C	D	E1	E2
265	225	89	100	77	89

PLUG ON 70° WALL-MOUNTED SOCKET-OUTLET



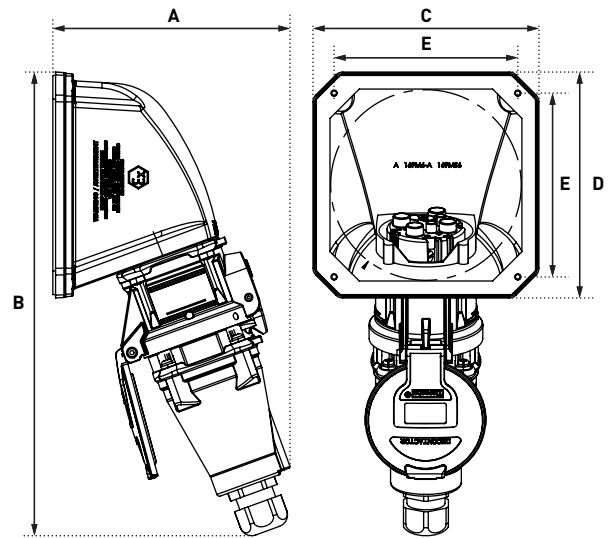
A	B	C	D	E1	E2
244	341	175	166	157	145.5

PLUG ON 30° INCLINED SOCKET-OUTLET



A	B	C	D	E1	E2
239	219	77	108	64	96

PLUG ON 70° INCLINED SOCKET-OUTLET



A	B	C	D	E
175	341	166	166	135

