

# Supply Units

312373E

*For transferring or dispensing sealants, adhesives, or other medium to high viscosity fluids. Not for use in hazardous locations.*

## S20 3 inch single post

20 liter (5 gallon) size  
150 psi (1.0 MPa, 10 bar) Maximum Air Inlet Pressure

## D30 3 inch dual post

30 liter (8 gallon) size  
125 psi (0.9 MPa, 9 bar) Maximum Air Inlet Pressure

## D200 3 inch dual post

200 liter (55 gallon), 115 liter (30 gallon),  
30 liter (8 gallon), 20 liter (5 gallon)  
125 psi (0.9 MPa, 9 bar) Maximum Air Inlet Pressure

## D200S 6.5 inch dual post

200 liter (55 gallon), 115 liter (30 gallon)  
150 psi (1.0 MPa, 10 bar) Maximum Air Inlet Pressure



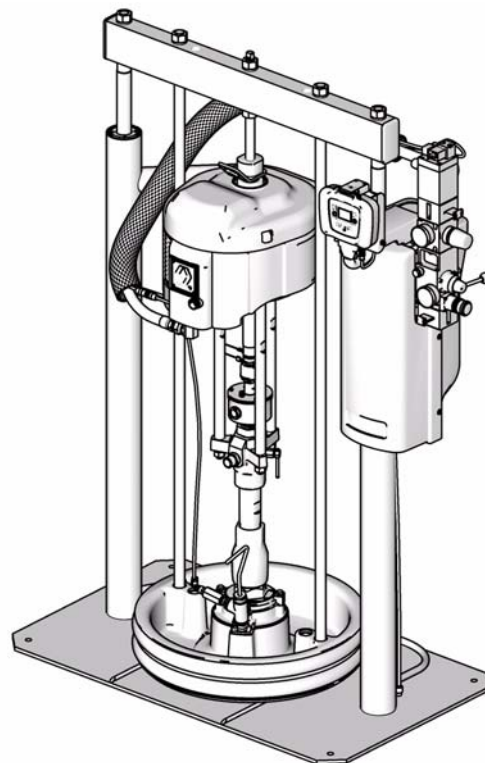
### Important Safety Instructions

Read all warnings and instructions in this manual.  
Save these instructions.

See page 6 for model information.

U.S. Patent Pending

*The Graco Control Architecture Electric Components are Listed in Intertek's Directory of Listed Products.*



D200 CM14BA

Ti10429A



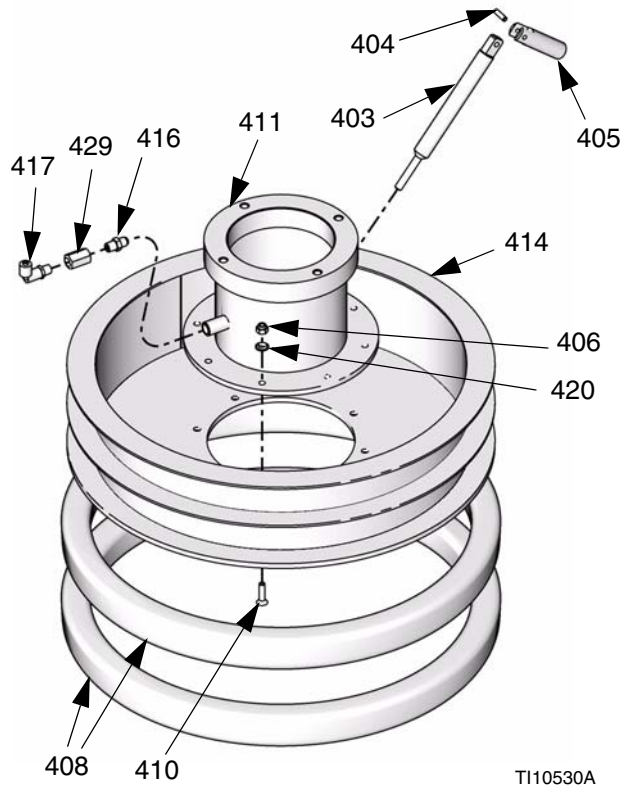
HO03



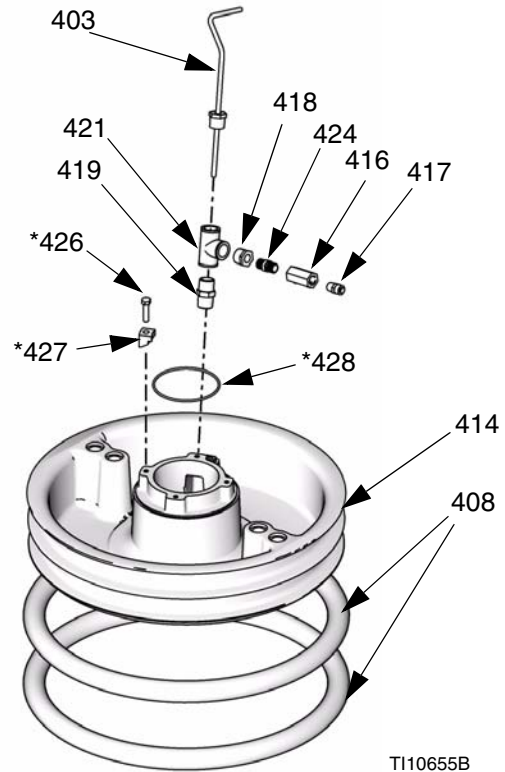
Recognized Component  
110474  
Certified to CAN/CSA C22.2 No. 14-05  
Conforms to UL 508

## 30 and 55 Gallon Platen

### 115 Liter (30 Gallon) Platen, Model 255661



### 200 Liter (55 Gallon) Platen, Model 255664



### 115 Liter (30 Gallon) Platen Parts

Ref. No.	Part No.	Description	Qty.
403	166560	STEM, probe	1
404	101831	PIN, spring	1
405	177542	HANDLE	1
406	102040	NUT, lock, hex	8
408	255654	WIPER, seal	1
410	109469	SCREW, machine flat hd	8
411		ADAPTER, 30 gal.	1
414		PLATE, follower, 30 gal.	1
416	114317	VALVE, check	1
417	597151	FITTING, elbow	1
420	C20521	SEAL, thread	8
429	100451	COUPLING	1

### 200 Liter (55 Gallon) Platen Parts

Ref. No.	Part No.	Description	Qty.
403	255232	HANDLE, bleed assy	1
408	255652	SEAL, wiper, drum, 55 gal., neo-prene; for 255664 only.	2
	255653	SEAL, wiper, drum, 55 gal., EPDM; for 255663 and 255662 only.	2
414		PLATE, ram 55 gal., for 255664 and 255663 only.	1
		PLATE, ram 55 gal., PTFE	1
416	114243	VALVE, check	1
417	114153	FITTING, TUBE, quick disconnect	1
418	100505	BUSHING, pipe	1
419	119992	NIPPLE, 3/4 x 3/4 npt	1
421	166466	TEE, pipe, female	1
424	156849	NIPPLE	1
426*	102637	SCREW, cap	4
427*	276025	CLAMP	4
428*	106495	O-RING	1

\* Parts included in 255392 Kit (purchase separately).

# Technical Data

Max air input pressure (supply system)	
S20 - 3 in. single post, 5 gal. (20 L) . . . . .	150 psi (1.0 MPa, 10 bar)
D30 - 3 in. dual post, 8 gal. (30 L), 5 gal. (20 L) . . . .	125 psi (0.9 MPa, 9 bar)
D200 - 3 in. dual post, 55 gal. (200 L), 30 gal. (115 L), 8 gal. (30 L), 5 gal. (20 L). . . . .	150 psi (1.0 MPa, 10 bar)
D200s - 6.5 in. dual post, 55 gal. (200 L), 30 gal. (115 L)	125 psi (0.9 MPa, 9 bar)
Max fluid and air working pressure (displacement pump)	For Check-Mate pump packages, see manual 312376. For Dura-Flo pump packages, see manuals 311826, 311828, 311833.
Wetted parts (displacement pump)	For Check-Mate displacement pumps, see manual 312375. For Dura-Flo displacement pumps, see manuals 311717, 311825, 311827.
Wetted parts (platen)	
255658, 5 gal. (20 L) . . . . .	sst, polyethylene, PTFE coated aluminum, nitrile, PTFE, polyurethane, zinc plated steel, fluoroelastomer
255655, 5 gal. (20 L) . . . . .	zinc plated carbon steel, fluoroelastomer, polyurethane, nitrile, polyethylene, sst
255656, 5 gal. (20 L) . . . . .	sst, fluoroelastomer, zinc plated steel, PTFE coated alu- minum, polyethelene, nitrile, polyurethane
255657, 5 gal. (20 L) . . . . .	zinc plated carbon steel, fluoroelastomer, polyurethane, nitrile, PTFE, polyethylene
255659, 5 gal. (20 L) . . . . .	fluoroelastomer, sst, PVC, zinc plated carbon steel
255660, 8 gal. (30 L) . . . . .	zinc plated carbon steel, polyurethane, nitrile, polyethyl- ene, sst, fluoroelastomer
255661, 30 gal. (115 L) . . . . .	zinc plated carbon steel, EPDM, sst, fluoroelastomer
255662, 55 gal. (200 L) . . . . .	PTFE, EPDM, PTFE coated aluminum, zinc plated carbon steel, 316 sst
255663, 55 gal. (200 L) . . . . .	EPDM, aluminum, zinc plated carbon steel, 316 sst
255664, 55 gal. (200 L) . . . . .	PTFE, neoprene, aluminum, zinc plated carbon steel, 316 sst
Ambient operating temperature range (supply system)	32-120 °F (0- 49°C)
Sound data . . . . .	See separate air motor manual.
External power supply requirements (DataTrak)	
AC power units . . . . .	100-240 Vac, 50/60 Hz, single phase, 1.2 amps max draw
DC power units . . . . .	24 Vdc, 1.2 amps max draw