

Contact-Cooled Rotary Screw Air Compressor

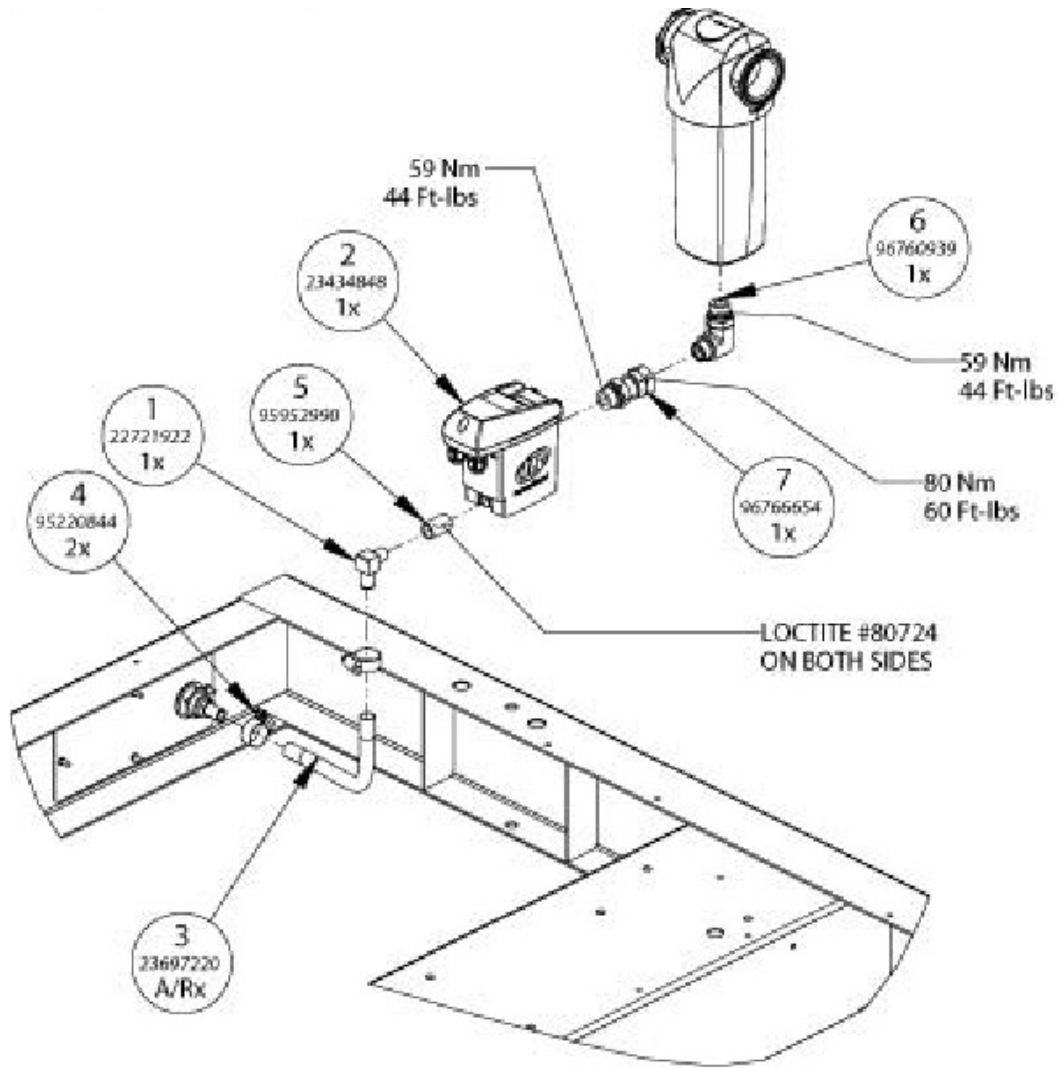
R37ie, R45i, R37ne, R45n

Parts Information

Save These Instructions

CONDENSATE NO LOSS - NO DRYER ASSEMBLY DRAWING AND PARTS LIST

Assemble No-loss Drain Valve and Nylon Tube.



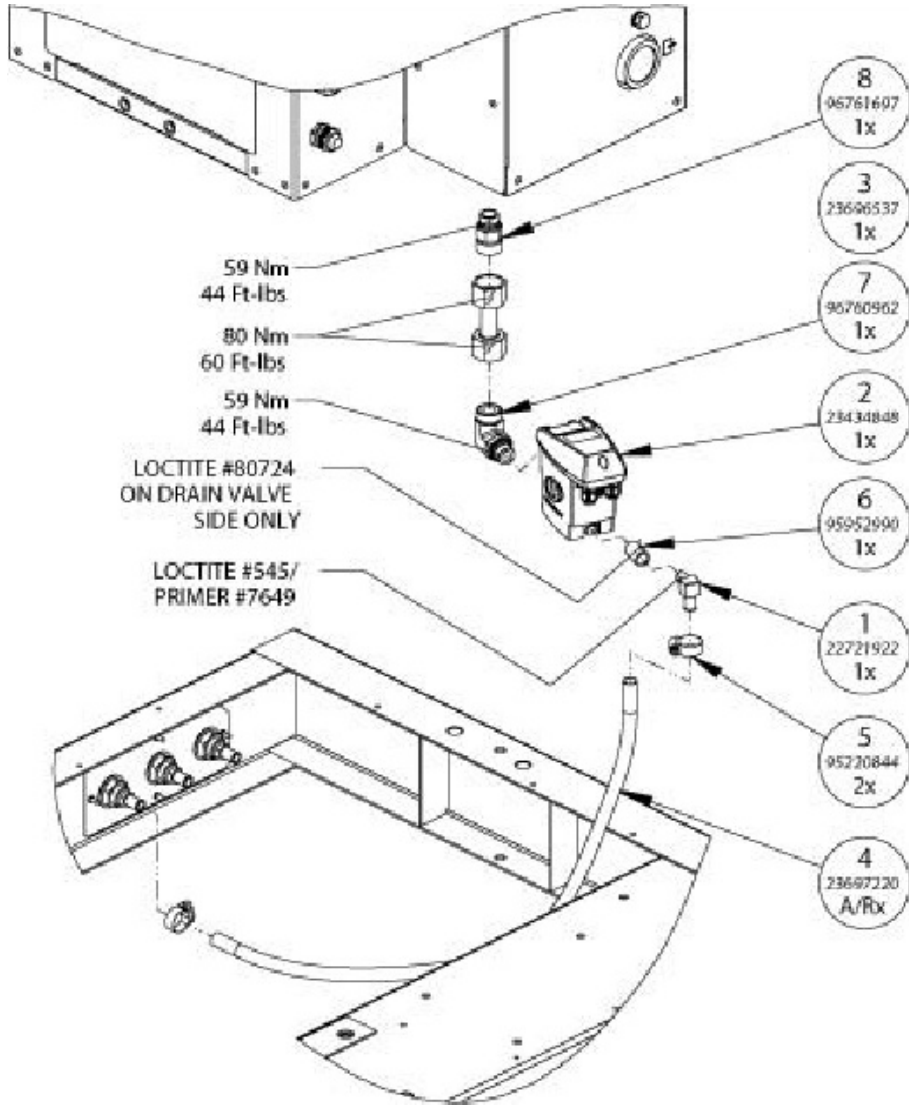
(Dwg. 23921034C3)

PARTS LIST

Item	Part No.	Description	Qty.
1	22721922	ELBOW, 90 BEADED HOSE BARB 0.25 PM x 0.50 HOSE	1
2	23434848	VALVE, NO-LOSS DRAIN B.I. BEKOMAT ENL 5 VARIO - BSPP	1
3	23697220	HOSE, 0.50" - I.D. (BULK)	A/R
4	95220844	CLAMP, HOSE WORM DRIVE STAINLESS STEEL	2
5	95952990	COUPLING, STANDARD 0.25 NPT x 1.13 LONG	1
6	96760939	ELBOW, 90 - 0.50-14 BSPP, SS SIZE 10 ORFS, 14, 15 16 mm TUBE END	1
7	96766654	CONNECTOR, 0.62 ORFS SW x .50 BSPPED SS	1

CONDENSATE NO LOSS - DRYER ASSEMBLY DRAWING AND PARTS LIST

Assemble No-loss Drain Valve to Dryer.



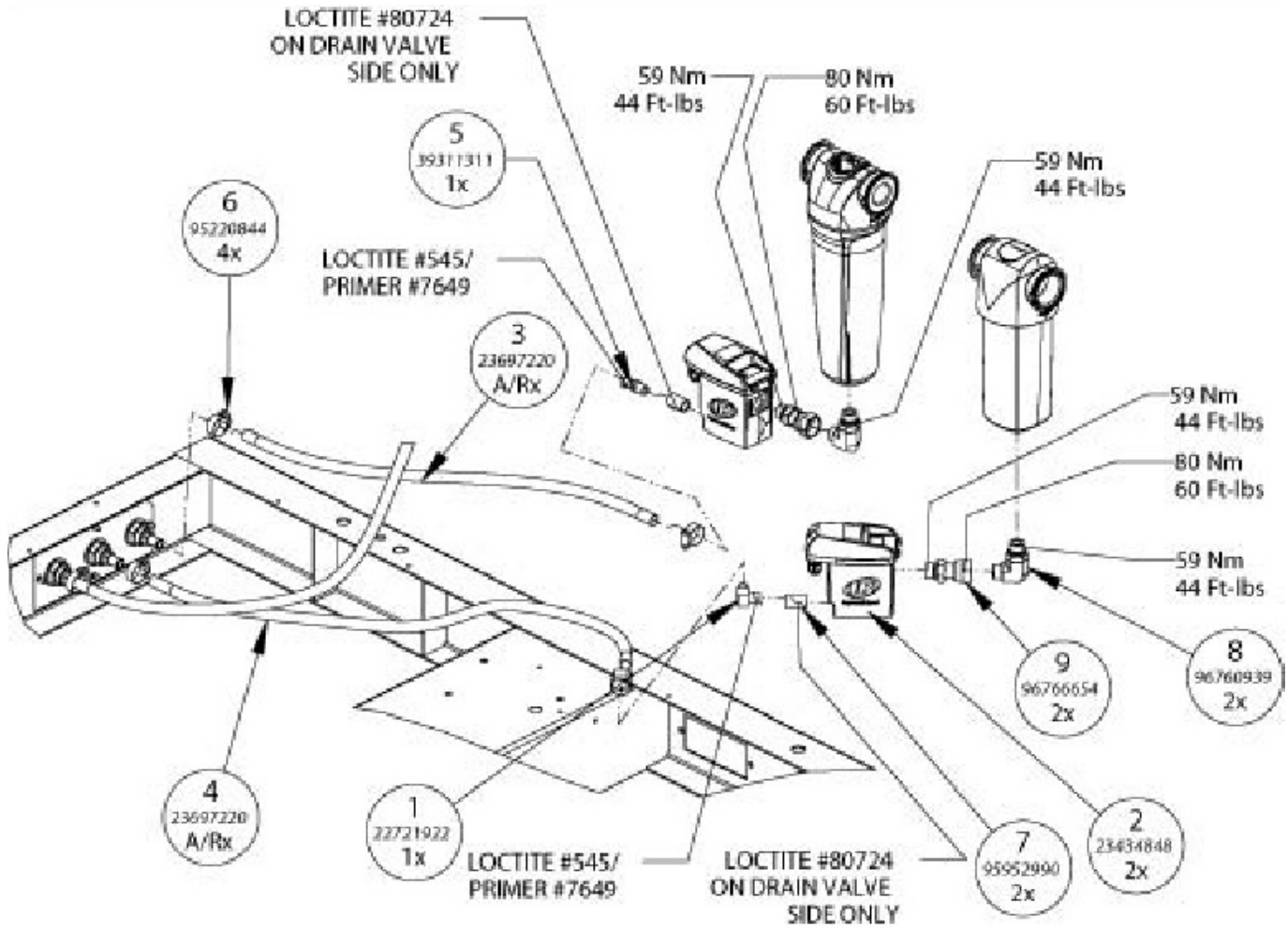
(Dwg. 23921042B3)

PARTS LIST

Item	Part No.	Description	Qty.
1	22721922	ELBOW, 90 BEADED HOSE BARB 0.25 PM x 0.50 HOSE	1
2	23434848	VALVE, NO-LOSS DRAIN B.I. BEKOMAT ENL 5 VARIO - BSPP	1
3	23696537	TUBE, 0.75 SS CONDENSATE MOIST SEP TO VALVE	1
4	23697220	HOSE, 0.50" - I.D. (BULK)	A/R
5	95220844	CLAMP, HOSE WORM DRIVE STAINLESS STEEL	2
6	95952990	COUPLING, STANDARD 0.25 NPT x 1.13 LONG	1
7	96760962	ELBOW, 90 - 0.50-14 BSPP, SS SIZE 12 ORFS, 18, 20 mm TUBE END	1
8	96761697	CONNECTOR, 18, 19, 20 mm TUBE ORFS x 1/2-14 BSPP-ED	1

CONDENSATE NO LOSS - DRYER ASSEMBLY DRAWING AND PARTS LIST

Assemble No-loss Drain Valve to Moisture Separator and Filter.



(Dwg. 23921042B4)

PARTS LIST

Item	Part No.	Description	Qty.
1	22721922	ELBOW, 90 BEADED HOSE BARB 0.25 PM x .50 HOSE	1
2	23434848	VALVE, NO-LOSS DRAIN B.I. BEKOMAT ENL 5 VARIO - BSPP	2
3	23697220	HOSE, 0.50" - I.D. (BULK)	A/R
4	23697220	HOSE, 0.50" - I.D. (BULK)	A/R
5	39311311	FITTING, BARBED 1/4" NPT x 1/2" HOSE	1
6	95220844	CLAMP, HOSE WORM DRIVE STAINLESS STEEL	4
7	95952990	COUPLING, STANDARD 0.25 NPT x 1.13 LONG	2
8	96760939	ELBOW, 90 - 0.50-14 BSPP, SS SIZE 10 ORFS, 14, 15 16mm TUBE END	2
9	96766654	CONNECTOR, 0.62 ORFS SW x 0.50 BSPPED SS	2