

# PowerFlex 700 Adjustable Frequency AC Drive

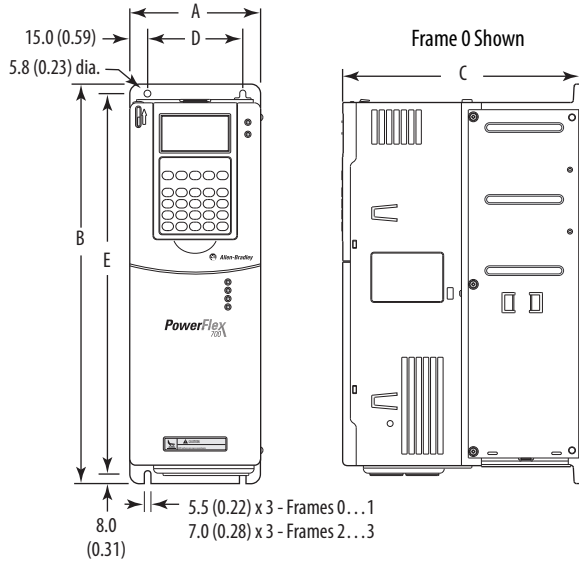


Topic	Page
Product Overview	2
Certifications and Specifications	8
Design Considerations	13
Drive, Fuse and Circuit Breaker Ratings	25
Cable Recommendations	34
Power Wiring	35
I/O Wiring	40
Mounting	45
Dimensions and Weights	48
Drive Options	58

LISTEN.  
THINK.  
SOLVE.®

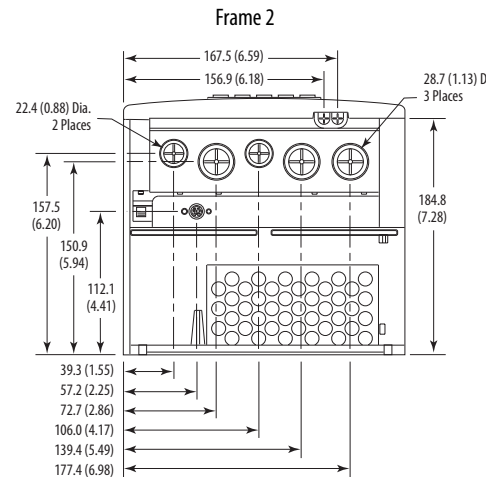
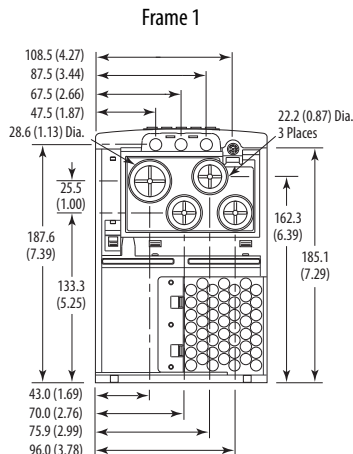
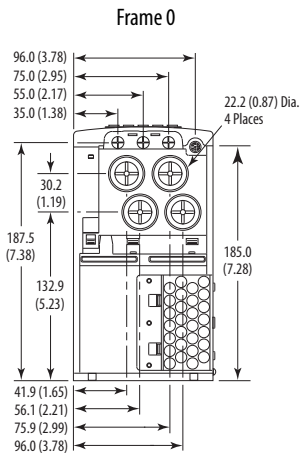
## Dimensions and Weights

### Frames 0...3 – IP20, NEMA / UL Type 1

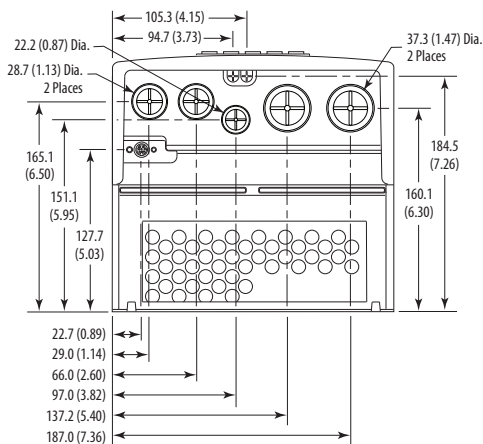


Frame	A	B	C	D	E	Weight <sup>(1)</sup> kg (lbs.)	
						Drive	Drive and Packaging
0	110.0 (4.33)	336.0 (13.23)	200.0 (7.87)	80.0 (3.15)	320.0 (12.60)	5.22 (11.5)	8.16 (18)
1	135.0 (5.31)	336.0 (13.23)	200.0 (7.87)	105.0 (4.13)	320.0 (12.60)	7.03 (15.5)	9.98 (22)
2	222.0 (8.74)	342.5 (13.48)	200.0 (7.87)	192.0 (7.56)	320.0 (12.60)	12.52 (27.6)	15.20 (33.5)
3	222.0 (8.74)	517.5 (20.37)	200.0 (7.87)	192.0 (7.56)	495.0 (19.49)	18.55 (40.9)	22.68 (50)

Dimensions are in millimeters and (inches)



**Frame 3**  
All except 50 Hp, 480V (37 kW, 400V)



**Frame 3**  
50 Hp, 480V (37 kW, 400V) Normal Duty Drive

