



Float switch 207KS

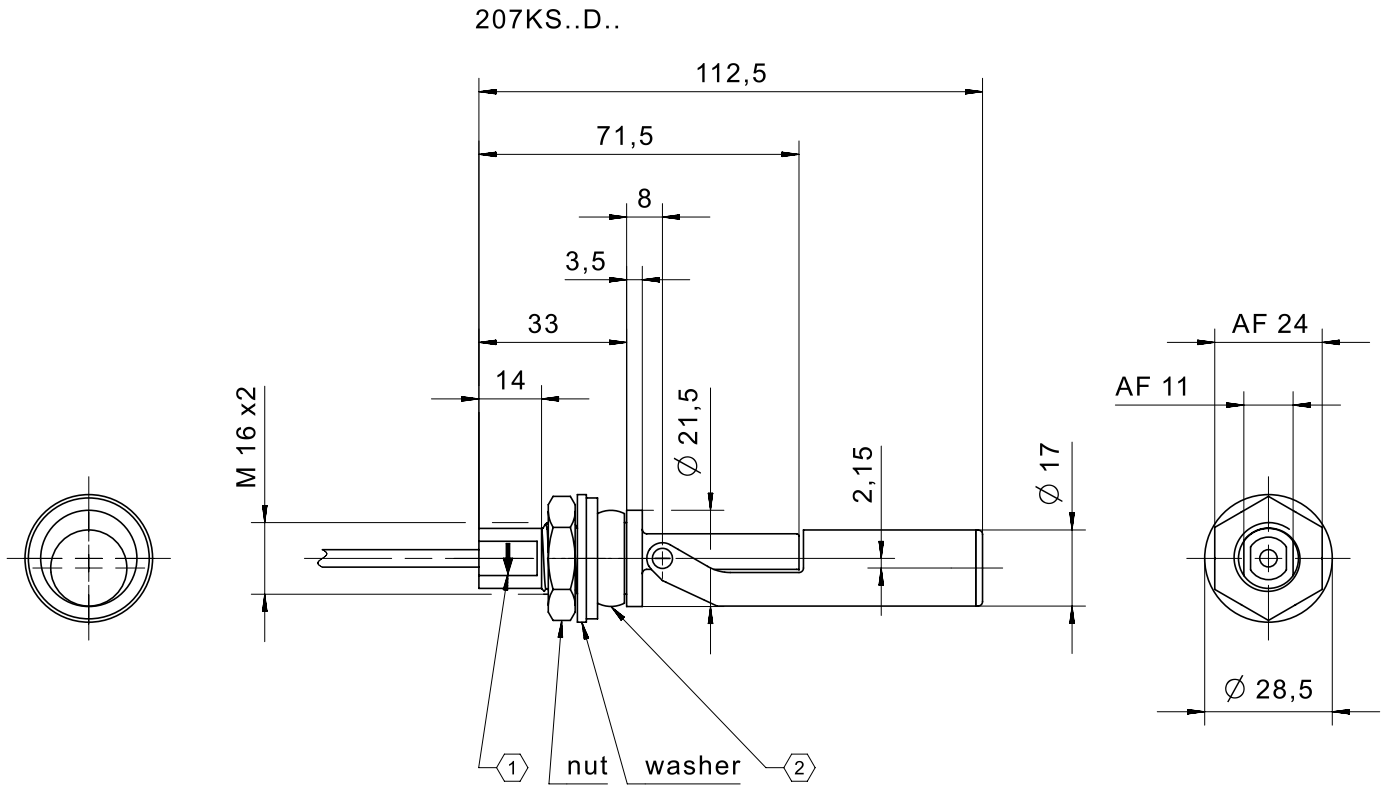
The float switch side mount 207KS with robust mechanical hinge is ideal for use in applications that require reliable monitoring under powerful flows. It is available with two different mounting options, so ideal for use in a range of applications and industries, eg the detection of fluid levels in water treatment containers, mechanical engineering and plant construction. The float switch also has a specially designed compression grommet which allows it to be installed from the outside. The switching function is reversible by simply rotating the float switch, making this a highly flexible and cost-effective solution.

Product characteristics

- Level measurement on reed-contact basis
- Mechanical hinge allows use in powerful flows
- Material: PP or PA12
- Mounting options: NPT thread or compression grommet
- Available connection types: cable outlet, M12 connector or pigtail
- Contact form: N.O., N.C. or changeover
- Temperature range from -25 °C to +105 °C
- Switching voltage up to max. 250V
- IP67 protection class

Technical drawing

IMAGE 1/12



① marking for mounting position

② compression grommet for maximum wall thickness 3 and hole Ø22 till Ø23

IMAGE 2/12

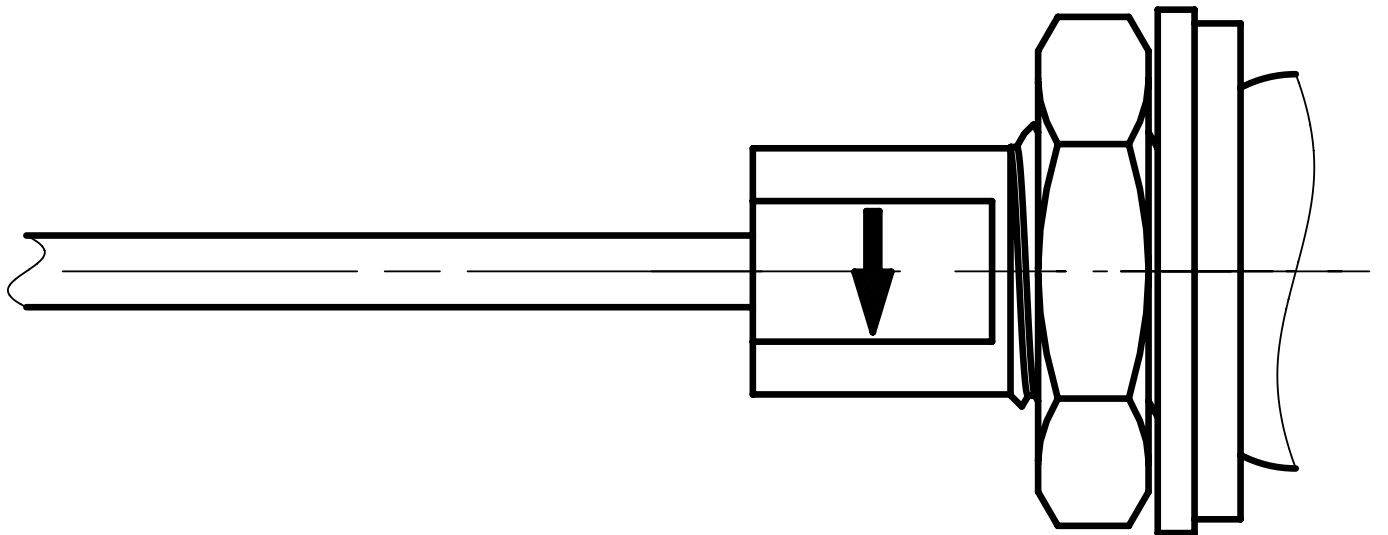
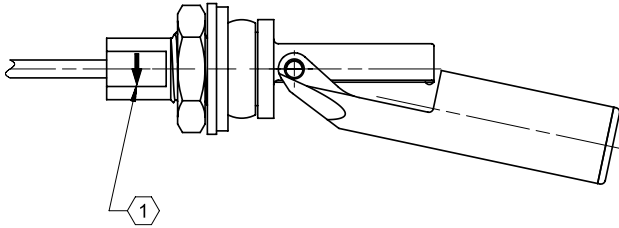


IMAGE 3/12

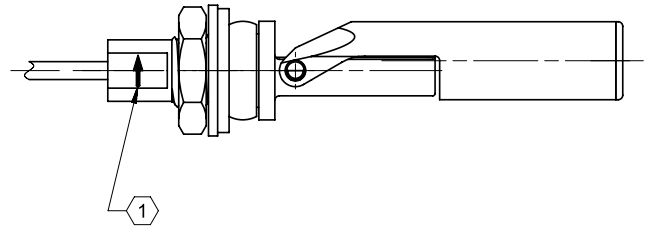


207KS0.D.....
207KS1.D.....

BN ———— WH

207KS2.D.....

BN ———— GN
 WH



207KS0.D.....
207KS1.D.....

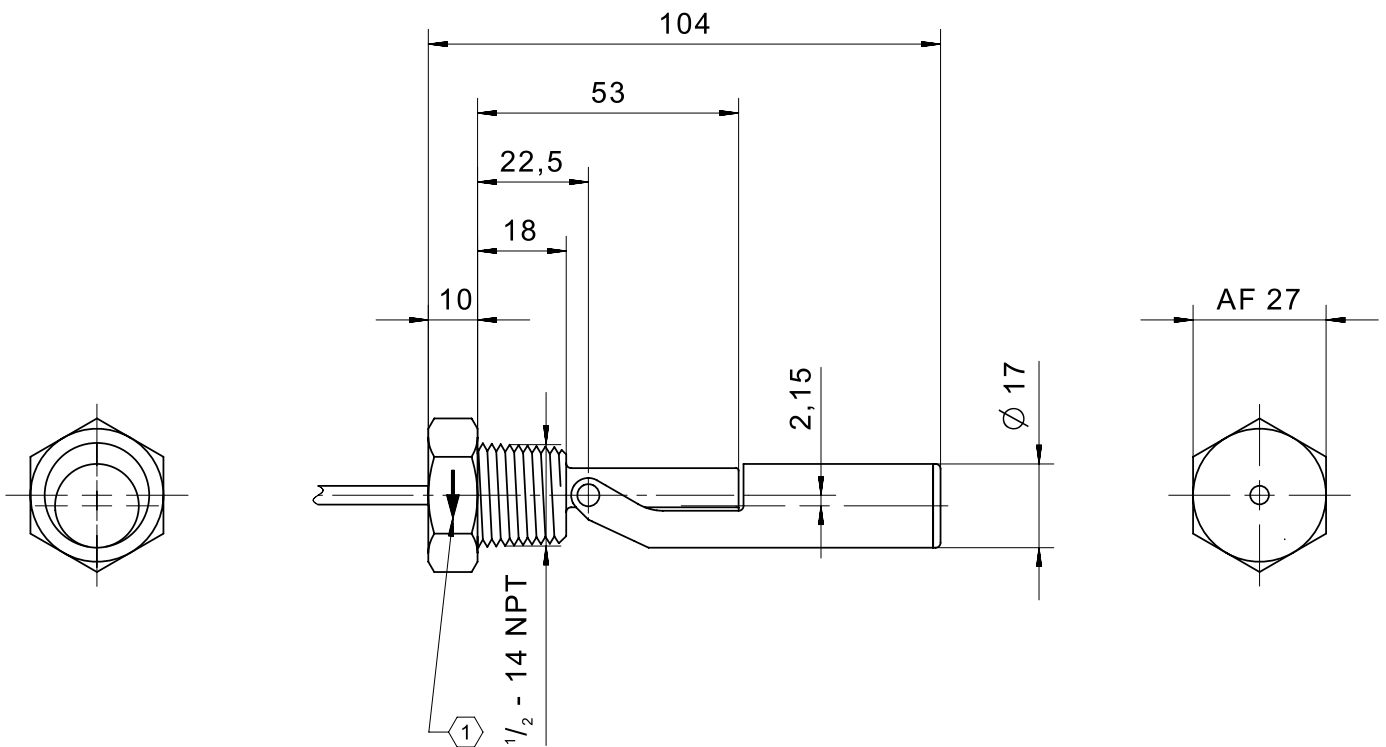
BN ———— WH

207KS2.D.....

BN ———— GN
 WH

IMAGE 4/12

207KS..N..



① marking for mounting position

IMAGE 5/12

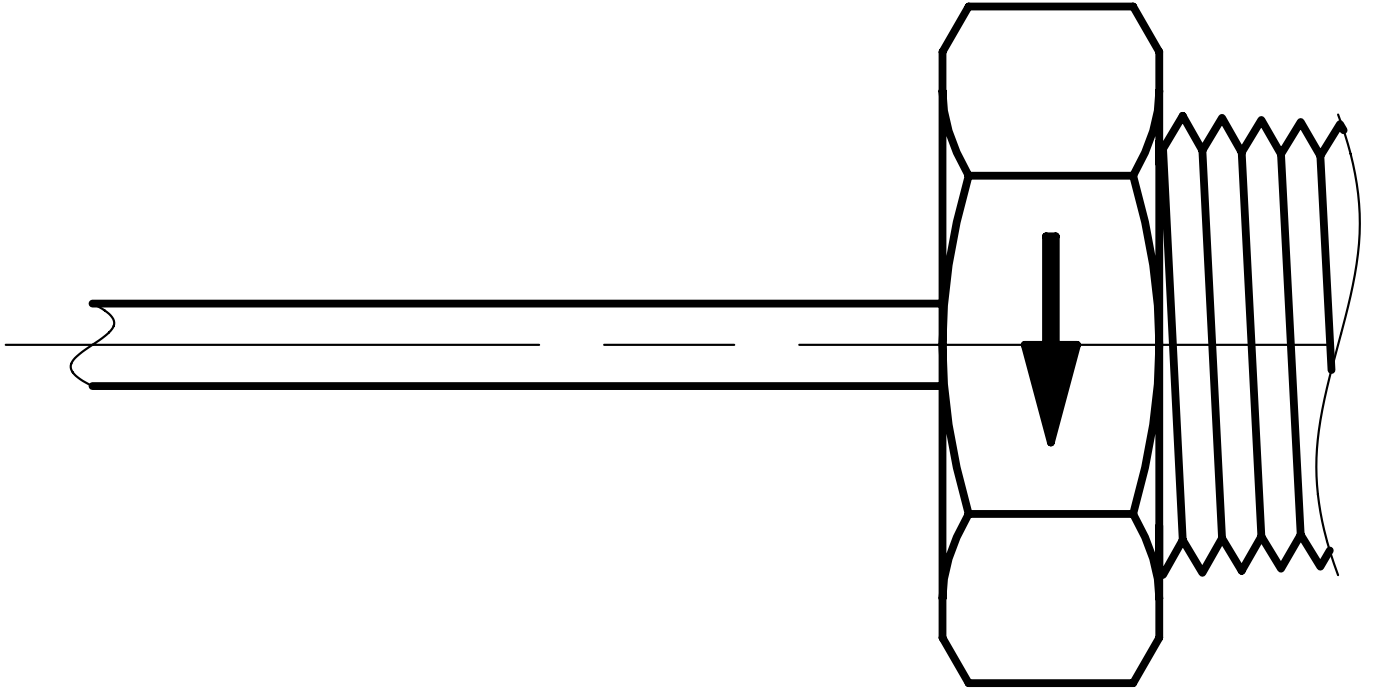
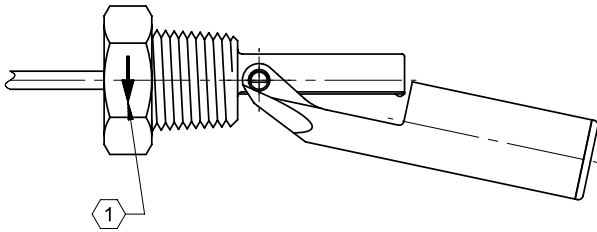


IMAGE 6/12

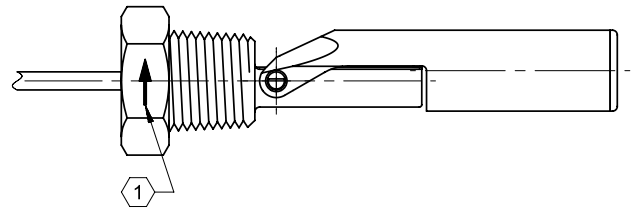


207KS0.N..
207KS1.N..

BN ———— WH

207KS2.N..

BN ———— GN
 WH



207KS0.N..
207KS1.N..

BN ———— WH

207KS2.N..

BN ———— GN
 WH

IMAGE 7/12

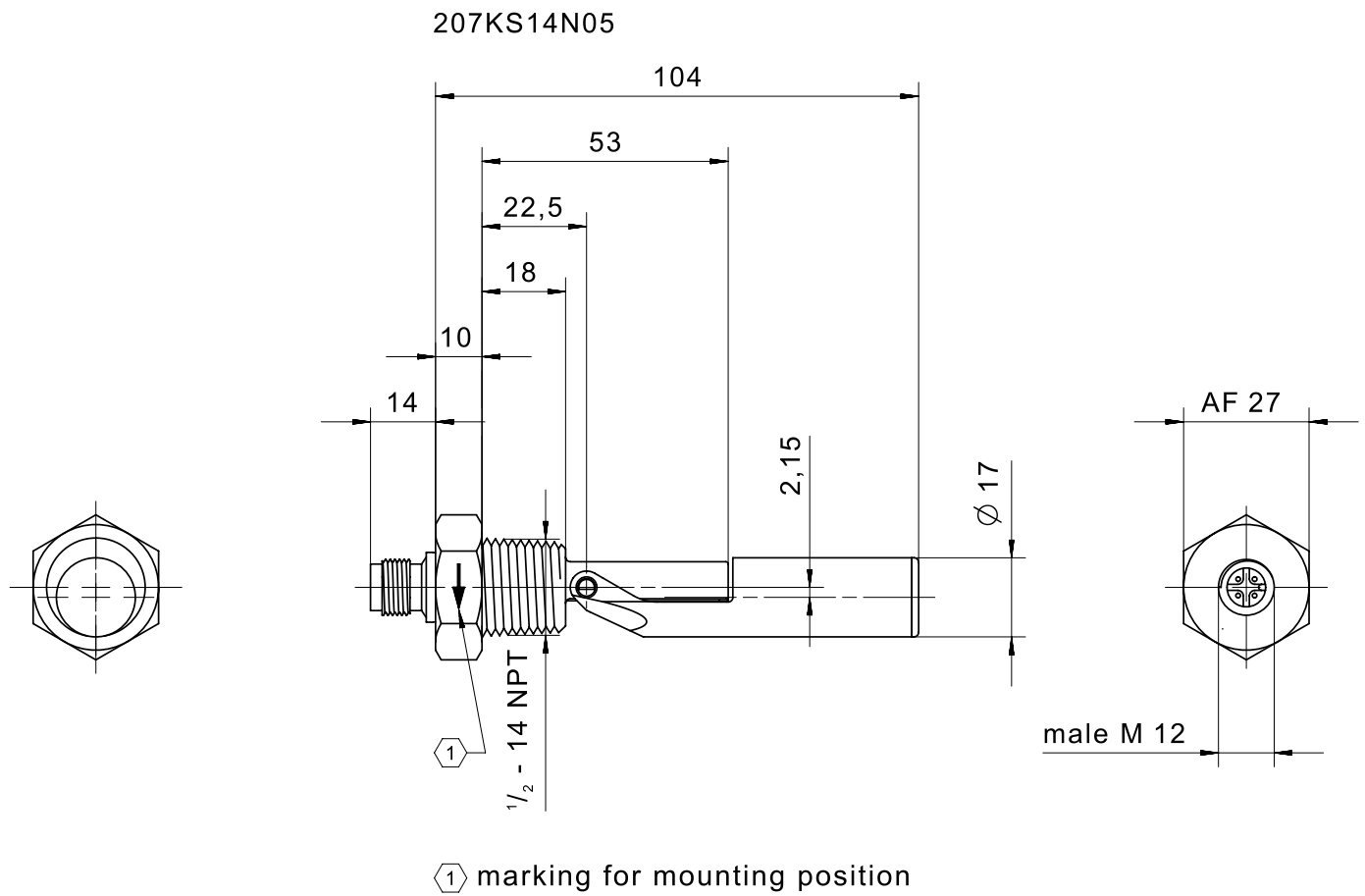
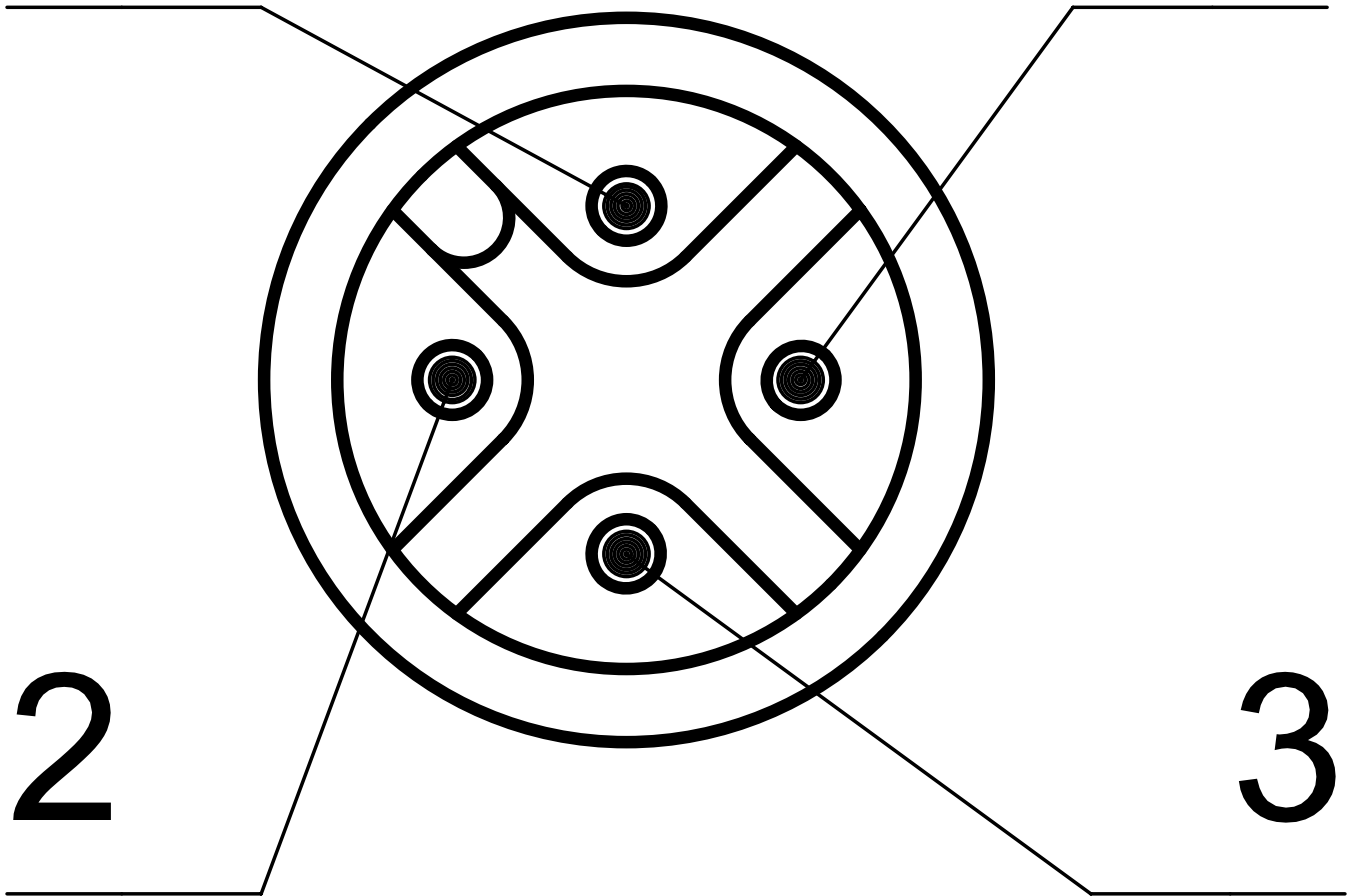


IMAGE 8/12

male M12

1

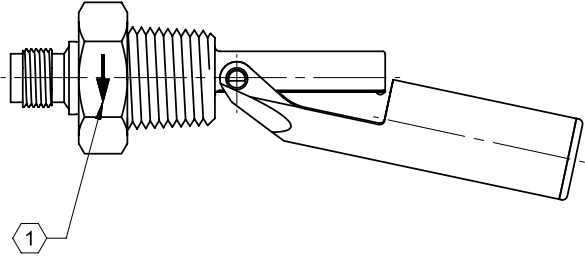
4



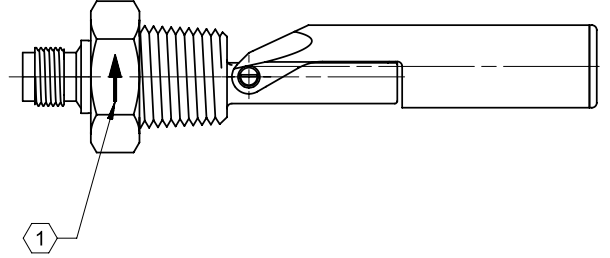
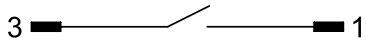
2

3

IMAGE 9/12



207KS14N05



207KS14N05

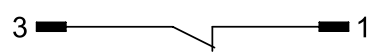
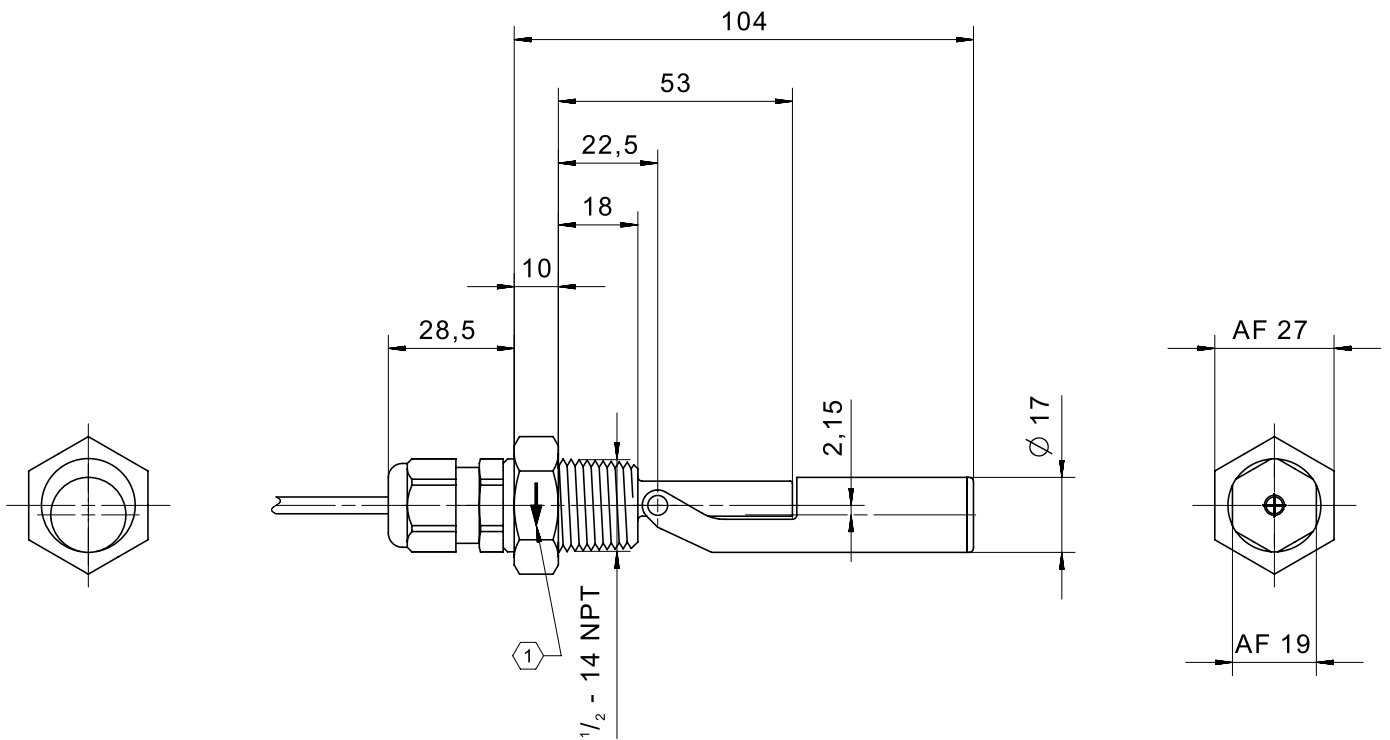


IMAGE 10/12

207KS..M..



① marking for mounting position

IMAGE 11/12

cable gland PA

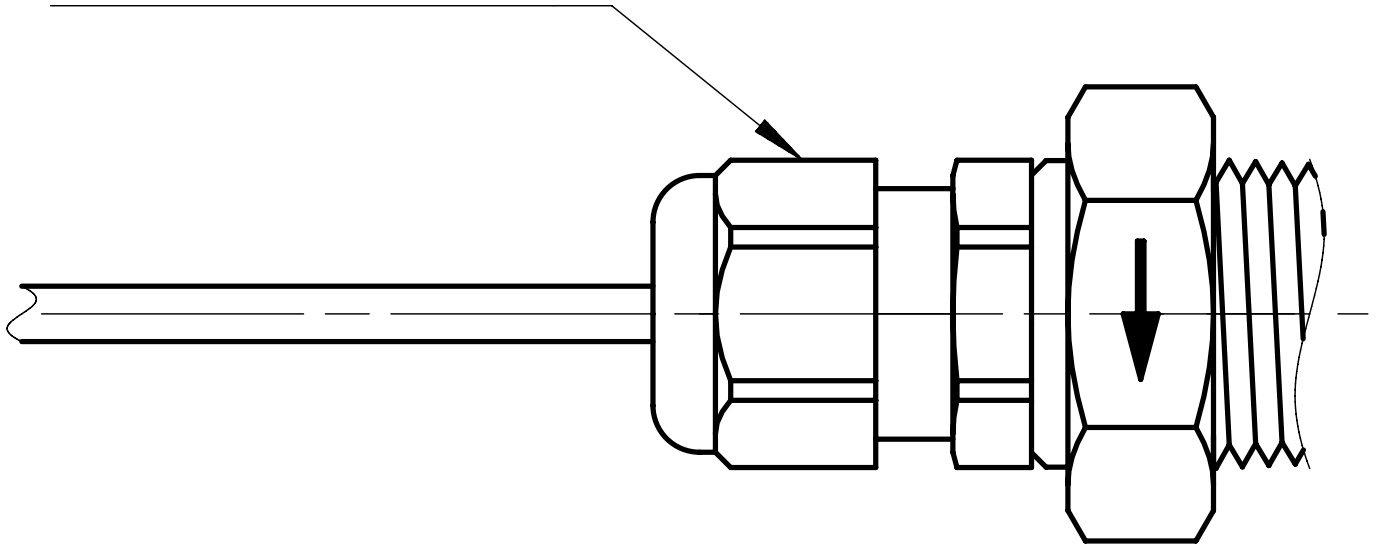
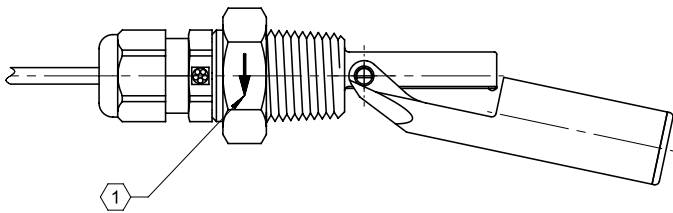


IMAGE 12/12

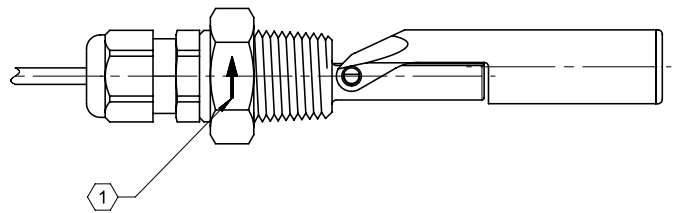


207KS0.M..
207KS1.M..

BN ———— WH

207KS2.M..

BN ———— GN
 WH



207KS0.M..
207KS1.M..

BN ———— WH

207KS2.M..

BN ———— GN
 WH

Product options

IMAGE 1/1

ORDERING KEY

207KS					Float switch side mount, mechanical hinge
					Contact form
	1				N.O./N.C. max. 250V
	2				C.O. max. 48V
					Housing material
		2			PP
		4			PA12
					Connections
			D		Connection thread M16x2, cable connection 1m, compression grommet
			M		Connection thread NPT 1/2, cable connection 1m, IP68
			N		Connection thread NPT 1/2, cable connection 1m
					Other cable lengths*
				-3	Cable length 3m
				-5	Cable length 5m
				-10	Cable length 10m
Variant:					
207KS14N05					Connection thread NPT 1/2, M12 connector, material PA12, N.O./N.C.
207KS24N02					Connection thread NPT 1/2, M12 connector, material PA12, C.O.

Optional

More materials for housings, compression grommets, cable sheathing on request

Electrical data

Attribute	207KS22D
Max. switching voltage	48 V DC
Max. switching voltage	48 V AC
Max. switching current	0.25 A
Max. switching power	3 W
Contact form	1C
Output signal	digital
Technology	Reed

Mechanical data

Attribute	207KS22D
Float diameter	17 mm
Version	Mechanical hinge

Material information

Attribute	207KS22D
Housing material	PP
Float material	PP
Cable material	PVC

Environmental conditions

Attribute	207KS22D
Operating temperature min.	-25 °C
Max. operating temperature	105 °C
Pressure resistance	3 bar
Protection class outside container	IP67 DIN EN 60529
Protection class inside container	IP68 DIN EN 60529

Installation

Attribute	207KS22D
Mounting type	Compression grommet
Installation opening	D22-23

Connection

Attribute	207KS22D
Connector type	-
Cable length	1 m