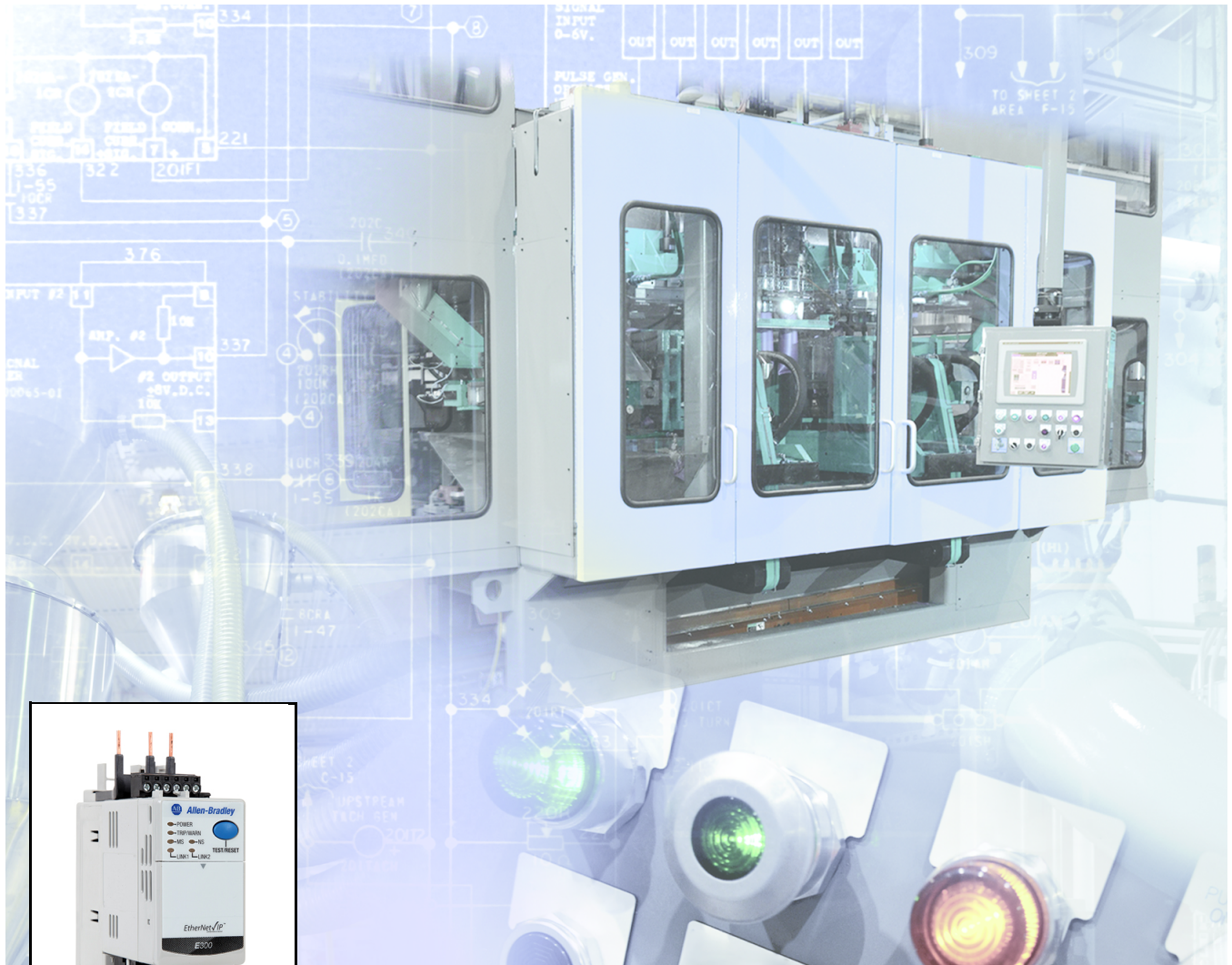


E300 Electronic Overload Relay

Bulletin Numbers 193, 592



**LISTEN.
THINK.
SOLVE.®**

Description	Mounting Options	Current Range [A]	For Use With	Cat. No.		
Voltage/Current/Ground Fault	IEC Contactors	0.5...30	100-C09...C23	193-ESM-VIG-30A-C23		
			100-C30...C55	193-ESM-VIG-30A-C55		
		6...60	100-C30...C55	193-ESM-VIG-60A-C55		
		10...100	100-C60...100-C97	193-ESM-VIG-100A-C97		
	DIN Rail / Panel Mount Power Terminals	20...200	100-D115...100-D180	193-ESM-VIG-200A-D180	193-ESM-VIG-200A-D180	
				0.5...30	All contactors	193-ESM-VIG-30A-T
				6...60		193-ESM-VIG-60A-T
				10...100		193-ESM-VIG-100A-T
	20...200	193-ESM-VIG-200A-T				
	DIN Rail / Panel Mount Power Terminals. Directly replaces 193-ECPM_	0.5...30	6...60	193-ESM-VIG-30A-E3T	193-ESM-VIG-30A-E3T	
				6...60	193-ESM-VIG-60A-E3T	
				10...100	193-ESM-VIG-100A-E3T	
	DIN Rail / Panel Mount Pass-thru	0.5...30	External current and potential transformers	193-ESM-VIG-30A-CT	193-ESM-VIG-30A-CT	
	NEMA Contactors	0.5...30	6...60	NEMA Size 0...2	592-ESM-VIG-30A-S2	
					592-ESM-VIG-60A-S2	
			10...100	NEMA Size 3	592-ESM-VIG-100A-S3	
20...200			NEMA Size 4	592-ESM-VIG-200A-S4		

Control Modules

Description	No. of Inputs/Outputs	Rated Control Voltage [V]	Cat. No.
I/O Module	6 in/3 out	24V DC	193-EIO-63-24D
	4 in/3 out	110...120V AC, 50/60 Hz	193-EIO-43-120
	4 in/3 out	220...240V AC, 50/60 Hz	193-EIO-43-240
I/O and Protection Module. Thermistor (PTC) and External Ground Fault Current ⁽¹⁾	4 in/2 out	24V DC	193-EIOGP-42-24D
	2 in/2 out	110...120V AC, 50/60 Hz	193-EIOGP-22-120
	2 in/2 out	220...240V AC, 50/60 Hz	193-EIOGP-22-240

(1) Requires Core Balanced Ground Fault Sensor Cat. No. 193-CBCT_.

Communication Modules

Description	Cat. No.
EtherNet/IP	193-ECM-ETR

Expansion Modules

Description	No. of Inputs/Outputs	Rated Control Voltage [V]	Cat. No.
Digital Expansion Module, 24V DC	4 in/2 out	24V DC	193-EXP-DIO-42-24D
Digital Expansion Module, 120V AC	4 in/2 out	110...120V AC, 50/60 Hz	193-EXP-DIO-42-120
Digital Expansion Module, 240V AC	4 in/2 out	220...240V AC, 50/60 Hz	193-EXP-DIO-42-240
Analog Expansion Module: mA, V, RTD, and Resistance	3 universal in/1 out	—	193-EXP-AIO-31 ⁽¹⁾
Expansion Power Supply	—	24V DC	193-EXP-PS-DC
		110...240V AC, 50/60 Hz	193-EXP-PS-AC
Starter Control Station with 3-Meter Cable	—	—	193-EOS-SCS
Starter Diagnostic Station with 3-Meter Cable	—	—	193-EOS-SDS ⁽¹⁾

(1) Module requires control module firmware v3.000 or higher.

Figure 26 - E300 Expansion Power Supply 193-EXP-PS-__

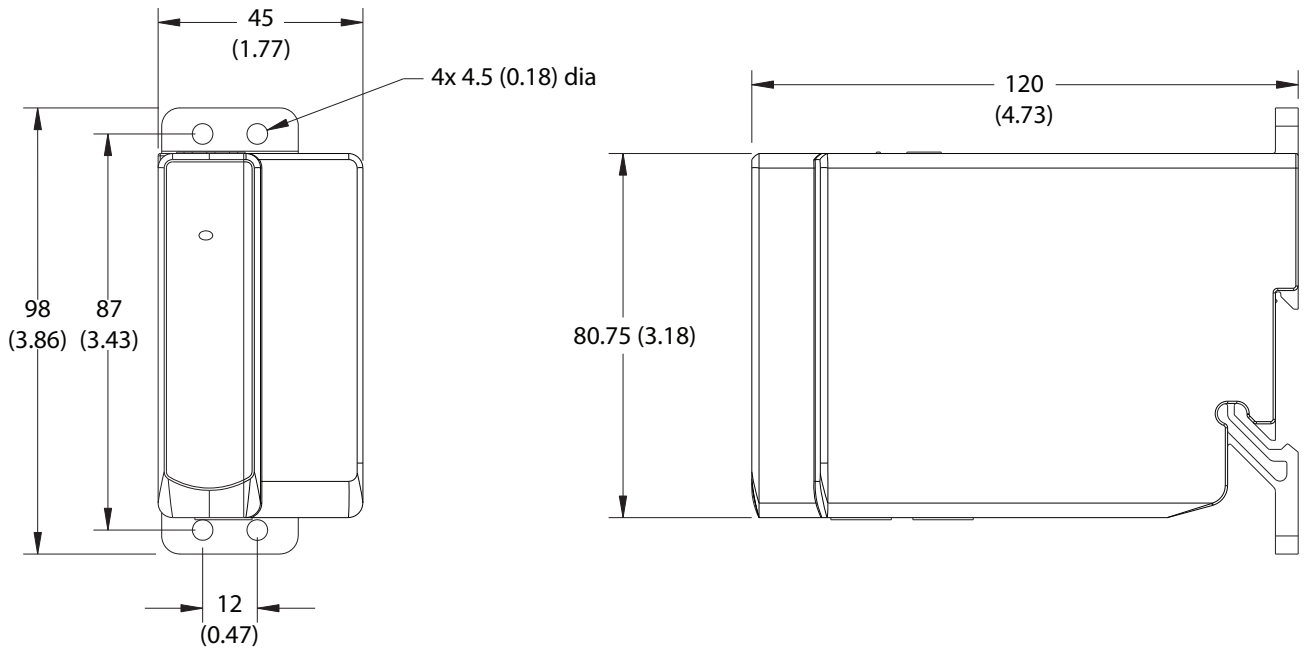


Figure 27 - E300 Starter Control Station 193-EOS-SCS

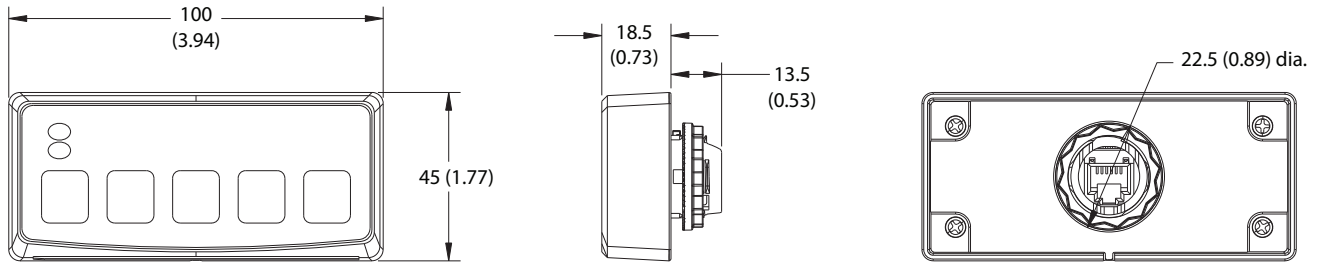


Figure 28 - E300 Starter Diagnostic Station 193-EOS-SDS

