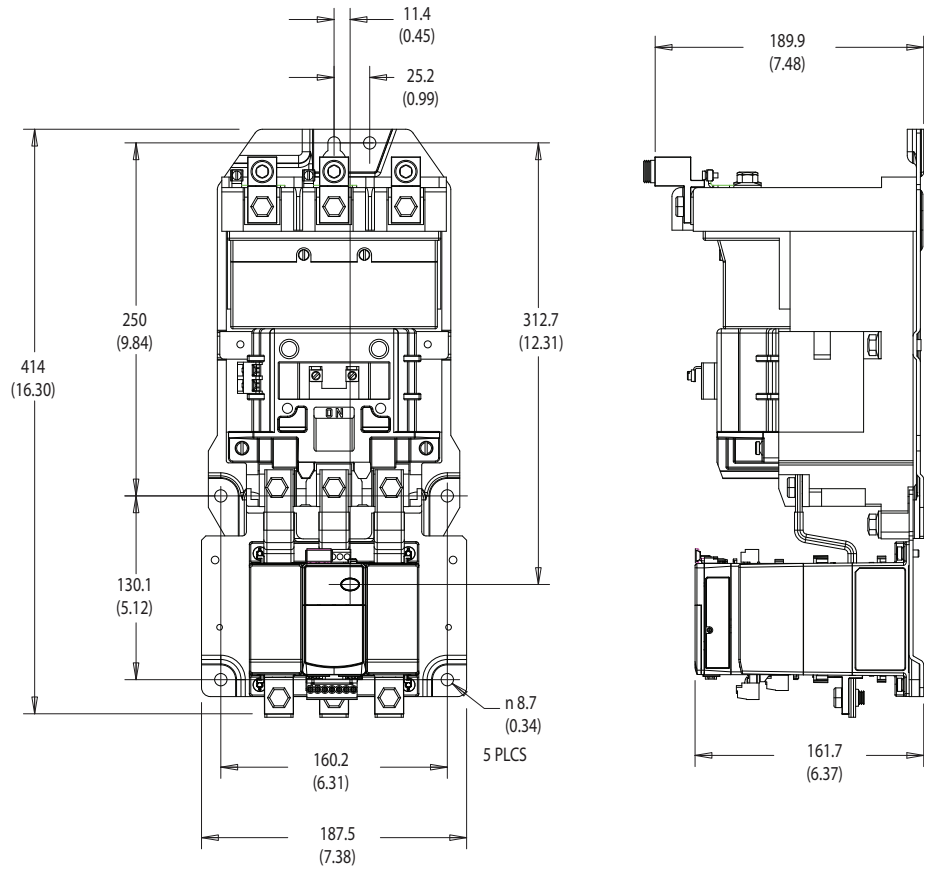


E300 Electronic Overload Relay

Bulletin Numbers 193, 592



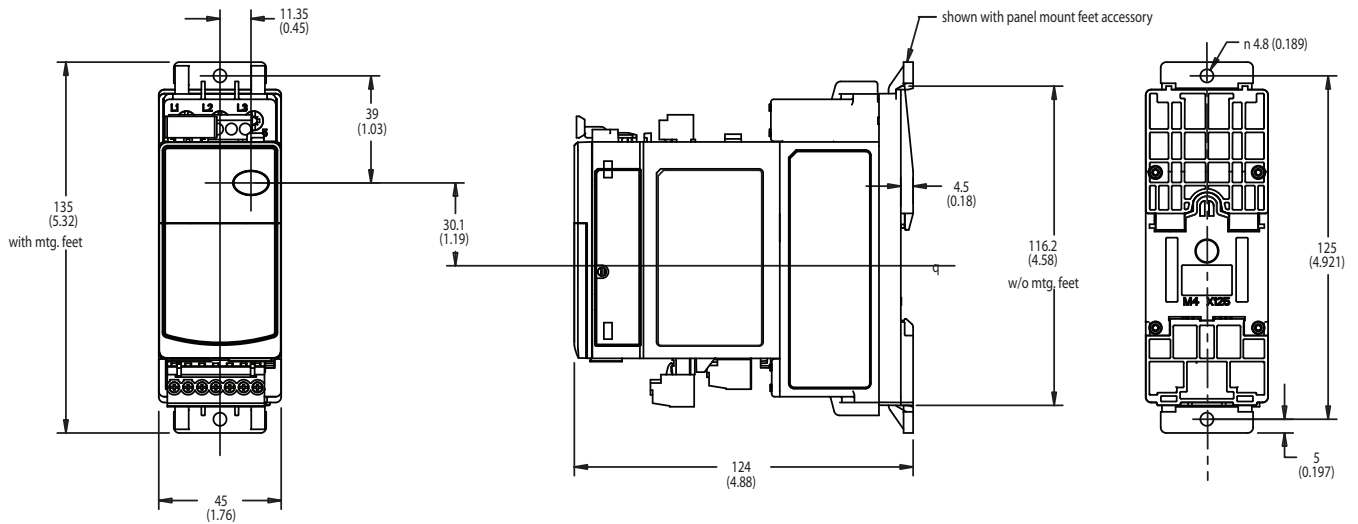
Figure 25 - E300 Sensing Module 592-ESM-___-___-S4 with NEMA Contactor Size 4



DIN Rail / Panel Mount Dimensions

Approximate dimensions are shown in millimeters (inches). Dimensions are not intended to be used for manufacturing purposes.

Figure 26 - E300 Sensing Module 193-ESM-___-30A-T and 193-ESM-___-60A-T



Mount feet accessory Cat. No.: 140M-C-N45