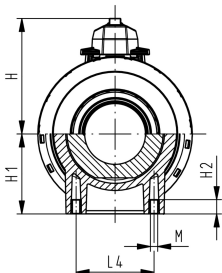
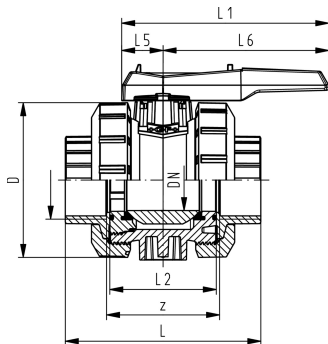
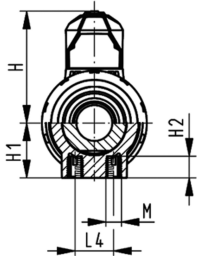
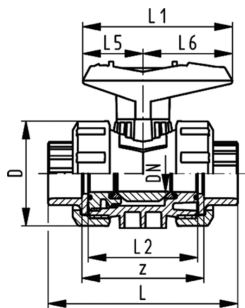
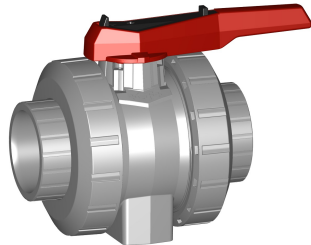


DN10/15 - 50



Type 546 CPVC Ball Valve
With mounting inserts
With solvent cement sockets inch ASTM
Including 2 threaded union ends NPT

Model:

- For easy installation and removal
- Ball seals PTFE
- Integrated stainless steel mounting inserts

Option:

- Multifunctional module with integrated limit switches
- Pneumatic or electric actuators from GF

Size (inch)	PN (psi)	EPDM Part No.	FKM Part No.
3/8	232	163 546 341	163 546 351
1/2	232	163 546 342	163 546 352
3/4	232	163 546 343	163 546 353
1	232	163 546 344	163 546 354
1 1/4	232	163 546 345	163 546 355
1 1/2	232	163 546 346	163 546 356
2	232	163 546 347	163 546 357
2 1/2	232	163 546 348	163 546 358
3	232	163 546 349	163 546 359
4	232	163 546 350	163 546 360

Size (inch)	D (mm)	H (mm)	H1 (mm)	L (mm)	L1 (mm)	L2 (mm)	L4 (mm)	L5 (mm)	L6 (mm)	M	z (mm)
3/8	50	57	27	105	77	56	25	32	45	M6	67
1/2	50	57	27	105	77	56	25	32	45	M6	61
3/4	58	67	30	121	97	65	25	39	58	M6	70
1	68	73	36	133	97	71	25	39	58	M6	76
1 1/4	84	90	44	154	128	85	45	54	74	M8	90
1 1/2	97	97	51	164	128	89	45	54	74	M8	94
2	124	116	64	183	152	101	45	66	87	M8	107
2 1/2	166	149	85	233	270	136	70	64	206	M8	144
3	200	161	105	254	270	141	70	64	206	M8	151
4	238	178	123	301	320	164	120	64	256	M12	174

Data sheet

valid from: 9/27/18



The technical data are not binding. They neither constitute expressly warranted characteristics nor guaranteed properties nor a guaranteed durability. They are subject to modification. Our General Terms of Sale apply.

Georg Fischer Piping Systems Ltd, Postfach, CH-8201 Schaffhausen/Switzerland

Phone +41 -(0)52-631 1111

e-mail: info.ps@georgfischer.com

Internet: <http://www.gfps.com>