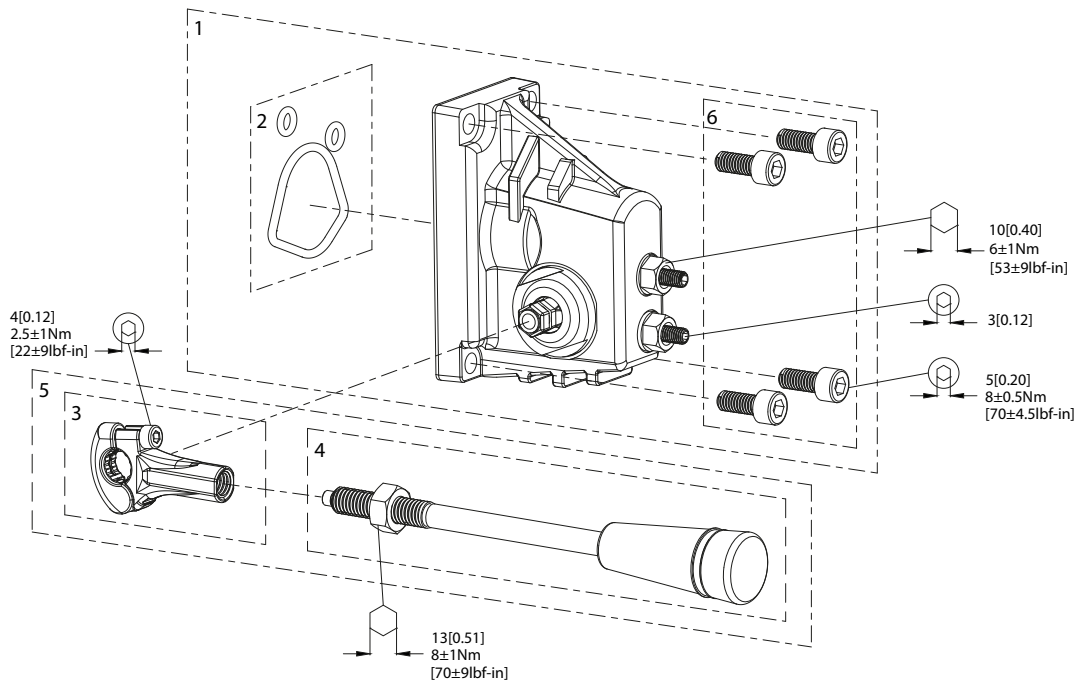


Service Parts

PVG 32 PVM, mechanical activation

PVM exploded view



PVM kits

Type	Description	Code number	Letter
PVM (Aluminum)	Non-adjustable	157B3193	A
	Non-adjustable with lever base	157B3194	B
	Non-adjustable with lever base and lever	157B3191	C
	Adjustable	157B3173	D
	Adjustable with lever base	157B3174	E
	Adjustable with lever base and lever	157B3171	F
PVM (Anodized aluminum)	Adjustable	157B3186	D
	Adjustable with lever base and lever	157B3184	F
PVM (Cast iron)	Adjustable with lever base and lever	157B3161	

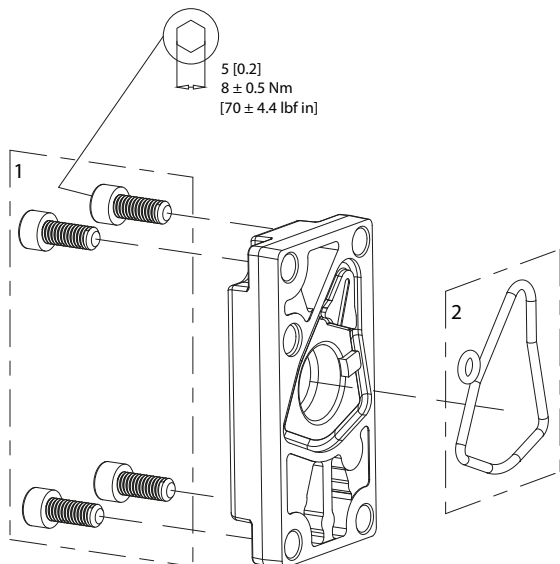
PVM parts list

Item	Description	Code number	Letter					
			A	B	C	D	E	F
1	PVM	-	1	1	1	1	1	1
2	Seal kit	157B3999	1	1	1	1	1	1
3	Lever base	11064641	-	1	1	-	1	1
4	Lever with black knob	11077262	-	-	1	-	-	1
	Lever base and lever with black knob	11107587	-	-	1	-	-	1
5	Lever base and lever with red knob	11134809	-	-	-	-	-	-
	Lever base and lever with black knob	11107587	-	-	1	-	-	1
6	Screw M6x15	-	4	4	4	4	4	4

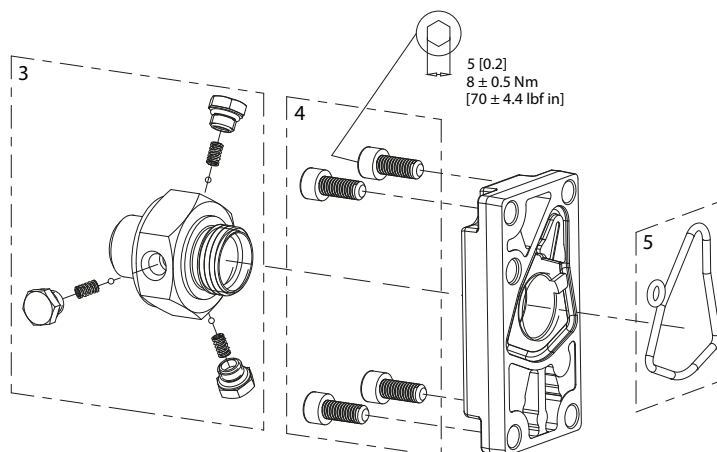
Service Parts

PVG 32 PVMD, PVMR and PVMF covers

PVMD exploded view



PVMR/PVMF exploded view



Cover kits

Type	Description	Code number	Letter
PVMD	Cover in aluminum	157B0001	A
	Cover in anodized aluminum	157B0009	
	Cover in cast iron	157B0021	
PVMF	Cover in aluminum	157B0005	B
PVMR	Cover in aluminum	157B0004	C
	Cover in anodized aluminum	157B0012	
	Cover in cast iron	157B0024	

Service Parts

Parts list

Item	Description	Code number	Letter		
			A	B	C
1	Screw	-	4	-	-
2	Seal kit	157B3999	1	-	-
3	Friction detent plug assembly	-	-	1	1
4	Screw	-	-	4	4
5	Seal kit	157B3999	-	1	1