

Technical Information

Steering

OSPB, OSPC, OSPD Open Center and
OSPB Closed Center

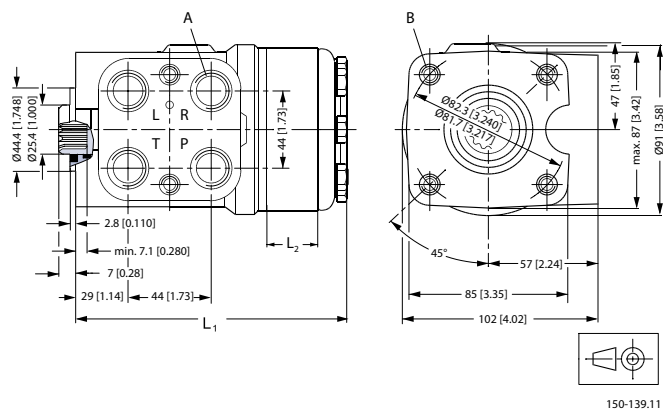


Code numbers and weights
OSPB open center non-reaction steering units

OSPB has no valve functions.

Steering unit	Code Numbers, connections		Pump flow range		Weight	
	European version G 1/2	US version 3/4-16UNF O ¹⁾	l/min	[US gal/min]	kg	[lb]
OSPB 50 ON	150N0039	150N0025	5-18	[1.32-4.76]	5.2	[11.46]
OSPB 80 ON	150N0040	150N0026	10-30	[2.64-7.93]	5.3	[11.68]
OSPB 100 ON	150N0041	150N0027			5.4	[11.90]
OSPB 125 ON	150N0042	150N0024	20-50	[5.28-13.21]	5.5	[12.13]
OSPB 160 ON	150N0043	150N0028			5.6	[12.35]
OSPB 200 ON	150N0044	150N0023			5.8	[12.79]
OSPB 250 ON	150N0052	150N0022			6.0	[13.23]
OSPB 315 ON	150N0045	150N0030			20-70	[5.28-18.49]
OSPB 400 ON	150N0046	150N0031	7.0	[15.43]		
OSPB 500 ON	150N0047	150N0032	7.6	[16.76]		

¹⁾ O-ring chamfer on port connections. Valve blocks OVP and OVR can be mounted on the all the OSPB steering units from the above table.

Steering units open center and closed center
Dimensions
OSPB ON and OSPB CN
OSPB ON and OSPB CN

OSPB ON and OSPB CN version

	A	B
European version	G 1/2; 15 mm [0.59 in] deep	M10 × 1.5, 16 mm [0.63 in] deep
US version	3/4 - 16 UNF O-ring boss; 15 mm [0.59 in] deep	3/8 - 16 UNC, 16 mm [0.63 in] deep

OSPB ON and OSPB CN dimensions

Type	L₁		L₂	
	mm	[in]	mm	[in]
OSPB 50	126	[4.96]	6.5	[0.26]
OSPB 80	129	[5.08]	10.4	[0.41]
OSPB 100	132	[5.20]	13.0	[0.51]
OSPB 125	135	[5.31]	16.2	[0.64]
OSPB 160	140	[5.51]	20.8	[0.82]
OSPB 200	145	[5.71]	26.0	[1.02]
OSPB 250	151	[5.94]	32.5	[1.28]
OSPB 315	160	[6.30]	40.9	[1.61]
OSPB 400	171	[6.73]	52.0	[2.05]
OSPB 500	184	[7.24]	65.0	[2.56]