

IE-FCI-PWB-DE

Weidmüller Interfaces GmbH & Co. KG

Postfach 3030

32760 Detmold

Tel. +49 5231 14-0

Fax. +49 5231 14-2083

info@weidmueller.com

www.weidmueller.com



FrontCom® Vario integrates multiple functions in only one single frame. The system is easy to install and you can select from a wide range of data, signal and power modules. In addition to being extremely compact, FrontCom® Vario offers a number of unique product features that will make your project planning and work activities secure, fast and future-proof. Furthermore, the FrontCom® Vario system has an attractive housing design that, by the way, offers highest impact-resistance and fully meets the requirements of IP 65 protection class.

General ordering data

Version	FrontCom, Insert Power large, Type F, Socket connector, DE
Order No.	1450730000
Type	IE-FCI-PWB-DE
GTIN (EAN)	4050118255546
Qty.	1 pc(s).

IE-FCI-PWB-DE

Weidmüller Interfaces GmbH & Co. KG

Postfach 3030

32760 Detmold

Tel. +49 5231 14-0

Fax. +49 5231 14-2083

info@weidmueller.com

www.weidmueller.com

Technical data

Dimensions and weights

Net weight	34 g		
------------	------	--	--

Temperatures

Storage temperature	-10 °C...70 °C	Operating temperature	-5 °C...40 °C
---------------------	----------------	-----------------------	---------------

General data

Connector face	Type F	Fire load	770 kJ
Insert type	Insert Power large	Protection degree	IP20

Clampable conductors

Conductor connection cross-section, extremely flexible with wire end ferrule	max.	1.5 mm ²
	min.	1.5 mm ²
Conductor connection cross-section, extremely flexible with wire end ferrule	1.5 ... 1.5 mm ²	
Conductor connection cross-section, extremely flexible without wire end ferrule	max.	2.5 mm ²
	min.	1.5 mm ²
Conductor connection cross-section, extremely flexible without wire end ferrule	1.5 ... 2.5 mm ²	
Conductor connection cross-section, flexible with wire end ferrule	1.5 ... 1.5 mm ²	
Conductor connection cross-section, flexible with wire end ferrule	max.	1.5 mm ²
	min.	1.5 mm ²
Conductor connection cross-section, flexible without wire end ferrule	min.	1.5 mm ²
	max.	2.5 mm ²
Conductor connection cross-section, flexible without wire end ferrule	1.5 ... 2.5 mm ²	
Conductor connection cross-section, rigid	max.	2.5 mm ²
	min.	1.5 mm ²
Conductor connection cross-section, rigid	1.5 ... 2.5 mm ²	
Stripping length	10 mm	
Type of connection	PUSH IN	

Technical data

Housing main material	Polycarbonate PC	Rated current	16 A
Rated voltage (AC)	250 V		

General standards

Certificate No. (DNVGL)	TAA000022B
-------------------------	------------

Classifications

ETIM 6.0	EC001121	ETIM 7.0	EC001121
ETIM 8.0	EC001121	ECLASS 9.0	27-44-03-90
ECLASS 9.1	27-18-90-90	ECLASS 10.0	27-44-03-90
ECLASS 11.0	27-44-03-90	ECLASS 12.0	27-18-28-92

Creation date December 28, 2022 2:27:48 PM CET

Catalogue status 16.12.2022 / We reserve the right to make technical changes.

IE-FCI-PWB-DE

Weidmüller Interfaces GmbH & Co. KG

Postfach 3030

32760 Detmold

Tel. +49 5231 14-0

Fax. +49 5231 14-2083

info@weidmueller.com

www.weidmueller.com

Technical data

Approvals

Approvals



ROHS

Conform

Downloads

Approval/Certificate/Document of Conformity

[GL FrontCom](#)

Engineering Data

[CAD data – STEP](#)

User Documentation

[MAN IE GUIDE DE](#)

[MAN IE GUIDE EN](#)

[Socket Insert Overview EN](#)

[Socket Insert Overview DE](#)

[Designation key / Type key](#)

Catalogues

[Catalogues in PDF-format](#)

Brochures

[MB FREECONTACT EN](#)

[FL FIELDWIRING EN](#)

[PI PROFINET CABLING EN](#)

[PI PROFINET CABLING EN](#)

IE-FCI-PWB-DE

Weidmüller Interfaces GmbH & Co. KG

Postfach 3030

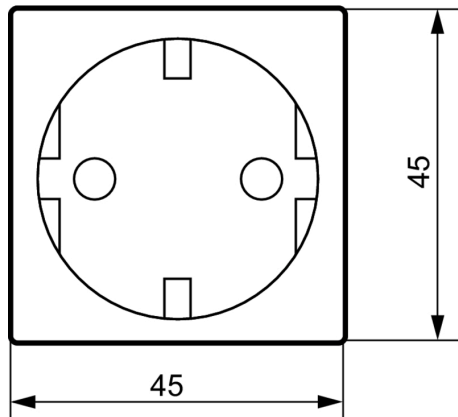
32760 Detmold

Tel. +49 5231 14-0

Fax. +49 5231 14-2083

Drawings

Dimensioned drawing



Dimensioned drawing info@weidmueller.com

