

Product availability : Stock - Normally stocked in distribution facility



## Commercial status

To be discontinued on: 31 December 2022

To be end-of-service on: 31 December 2030

⚠ To be discontinued

### Main

Range of product	Modicon Quantum automation platform
Product or component type	Low voltage dc discrete input modules
Discrete input number	32

### Complementary

Group of channels	4
Logic input	Positive (sink)
Discrete input voltage	24 V DC
Input voltage limits	19.2...30 V
Voltage state 1 guaranteed	15...30 V DC
Voltage state 0 guaranteed	-3...5 V DC
Current state 1 guaranteed	$\geq 2$ mA at $U_s = 5.5$ V and $U_{in} = 0$ V
Current state 0 guaranteed	$\leq 0.5$ mA
Addressing requirement	2 input words
Input impedance	2500 Ohm
Maximum leakage current	200 mA at $U_s = 5.5$ V and $U_{in} = 4$ V
Absolute maximum input	30 V continuous 56 V during 1.3 ms decaying pulse
Response time	$\leq 1$ ms from state 0 to state 1 $\leq 1$ ms from state 1 to state 0
Protection type	Input protection by resistor limited
Power dissipation	1.7 W + (0.36 x number of points on)
Isolation between group and bus	1780 Vrms for 1 minute
Isolation between group	500 Vrms for 1 minute
Local signalling	for bus communication is present (Active) 1 LED (green) for external fault detected (F) 1 LED (red) for input status 32 LEDs (green)

Disclaimer: This documentation is not intended as a substitute for and is not to be used for determining suitability or reliability of these products for specific user applications

Marking	CE
Bus current requirement	330 mA
Module format	Standard
Net Weight	0.66 lb(US) (0.3 kg)

## Environment

Standards	CSA C22.2 No 142 UL 508
Product certifications	C-tick DNV RINA RMRS BV GOST ABS
Resistance to electrostatic discharge	4 kV contact IEC 801-2 8 kV on air IEC 801-2
Resistance to electromagnetic fields	9.14 V/m (10 V/m) 80...2000 MHz IEC 801-3
Ambient air temperature for operation	32...140 °F (0...60 °C)
Ambient air temperature for storage	-40...185 °F (-40...85 °C)
Relative humidity	95 % without condensation
Operating altitude	<= 16404.2 ft (5000 m)

## Ordering and shipping details

Category	18155 - QUANTUM I/O & POWER SUPPLIES
Discount Schedule	PC21
GTIN	00785901793823
Nbr. of units in pkg.	1
Package weight(Lbs)	0.9 lb(US) (0.41 kg)
Returnability	Yes
Country of origin	CN

## Packing Units

Unit Type of Package 1	PCE
Package 1 Height	1.77 in (4.5 cm)
Package 1 width	6.46 in (16.4 cm)
Package 1 Length	12.20 in (31 cm)
Unit Type of Package 2	S03
Number of Units in Package 2	7
Package 2 Weight	7.50 lb(US) (3.4 kg)
Package 2 Height	11.81 in (30 cm)
Package 2 width	11.81 in (30 cm)
Package 2 Length	15.75 in (40 cm)
Unit Type of Package 3	P12
Number of Units in Package 3	56
Package 3 Weight	89.95 lb(US) (40.8 kg)
Package 3 Height	19.69 in (50 cm)
Package 3 width	31.50 in (80 cm)
Package 3 Length	47.24 in (120 cm)

## Offer Sustainability

Sustainable offer status	Green Premium product
--------------------------	-----------------------

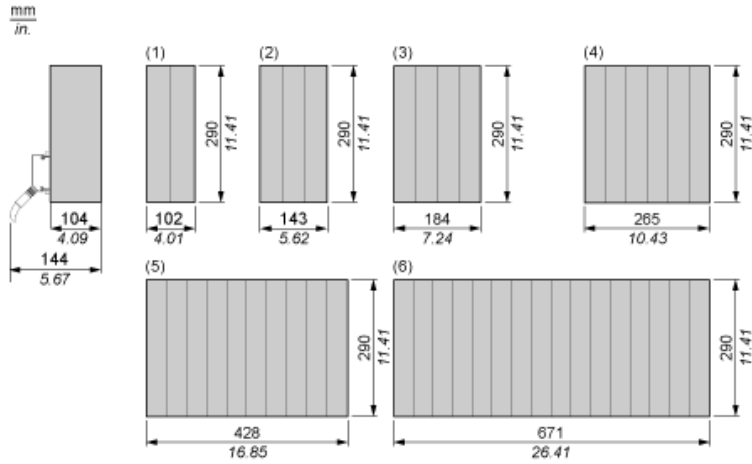
California proposition 65	WARNING: This product can expose you to chemicals including: Lead and lead compounds, which is known to the State of California to cause cancer and birth defects or other reproductive harm. For more information go to <a href="http://www.P65Warnings.ca.gov">www.P65Warnings.ca.gov</a>
REACH Regulation	<a href="#">REACH Declaration</a>
REACH free of SVHC	Yes
EU RoHS Directive	Pro-active compliance (Product out of EU RoHS legal scope) <a href="#">EU RoHS Declaration</a>
Mercury free	Yes
RoHS exemption information	<a href="#">Yes</a>
China RoHS Regulation	<a href="#">China RoHS declaration</a>
Environmental Disclosure	<a href="#">Product Environmental Profile</a>
Circularity Profile	<a href="#">End of Life Information</a>
WEEE	The product must be disposed on European Union markets following specific waste collection and never end up in rubbish bins.

### Contractual warranty

Warranty	18 months
----------	-----------

Racks for Modules Mounting

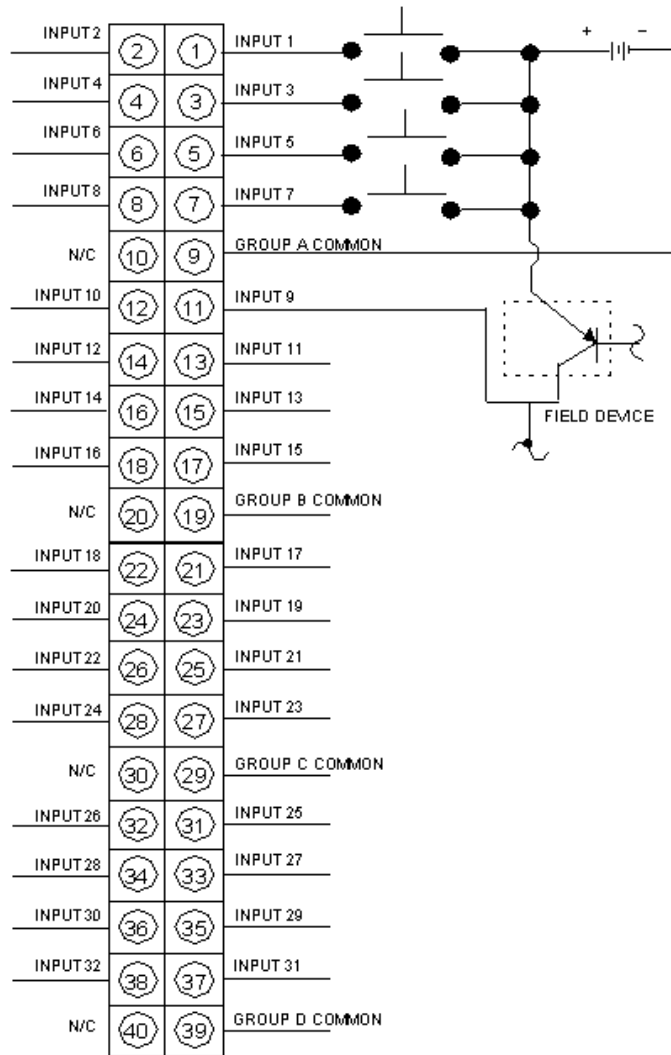
Dimensions of Modules and Racks



- (1) 2 slots
- (2) 3 slots
- (3) 4 slots
- (4) 6 slots
- (5) 10 slots
- (6) 16 slots

24 Vdc Discrete Input Sink Module

Wiring Diagram



N/C Not Connected

140DDI35300 is replaced by:



I/O modules BMXDDI3202K

discrete input module X80 - 32 inputs - 24 V DC positive

Qty 1