



Product availability: Stock - Normally stocked in distribution facility

Price\*: 3414.00 USD



### Main

Commercial Status	Commercialised
Range of product	Modicon Quantum automation platform
Product or component type	Analogue input module
Type of filter	Single pole low pass - 3 dB at 847 Hz +/- 20 %

### Complementary

Analogue input number	8
Input type	Differential
Addressing requirement	9 input words
Analogue input type	Unipolar voltage 0...5 V Unipolar voltage 0...10 V Unipolar current 0...20 mA Bipolar voltage +/- 5 V Bipolar voltage +/- 10 V Bipolar current 20 mA
Analogue input resolution	16 bits 20 mA 16 bits 0...5 V 16 bits 0...20 mA 16 bits 0...10 V 16 bits +/- 5 V 16 bits +/- 10 V
Linear measuring range	(Input range) x 1.024 mA (Input range) x 1.024 V
Absolute maximum input	50 V DC 25 mA
Input impedance	250 MOhm +/- 0.03 % > 20 Ohm voltage
Absolute accuracy error	+/- 0.05 % of full scale maximum +/- 0.03 %
Linearity error	+/- 0.008 %
Accuracy drift according to temperature	<= 0.004 % of full scale /°C +/- 0.0015 % of full scale/°C
Common mode rejection	> -80 dB 60 Hz
Isolation between channels and bus	750 V DC 500 Vrms AC for 60 s
Isolation between channels	135 Vrms AC 200 V DC
Update time	10 ms

Fault type	Overtacking scale 1...5 V Broken wire 4...20 mA
Marking	CE
Local signalling	8 LEDs red channel fault 8 LEDs green channel is turned on 1 LED red external fault 1 LED green bus communication is present (Active)
Bus current requirement	280 mA
Power dissipation in W	2.2 W
Module format	Standard
Product weight	0.66 lb(US) (0.3 kg)

## Environment

Standards	CSA C22.2 No 142 UL 508
Product certifications	CUL FM Class 1 Division 2
Resistance to electrostatic discharge	8 kV on air conforming to IEC 801-2 4 kV contact conforming to IEC 801-2
Resistance to electromagnetic fields	9.14 V/yard (10 V/m) 80...1000 MHz conforming to IEC 801-3
Ambient air temperature for operation	32...140 °F (0...60 °C)
Ambient air temperature for storage	-40...185 °F (-40...85 °C)
Relative humidity	95 % without condensation
Operating altitude	<= 16404.2 ft (5000 m)

## Ordering and shipping details

Category	18155 - QUANTUM I/O & POWER SUPPLIES
Discount Schedule	PC21
GTIN	00785901792277
Nbr. of units in pkg.	1
Package weight(Lbs)	1.01
Product availability	Stock - Normally stocked in distribution facility
Returnability	Y
Country of origin	FR

## Offer Sustainability

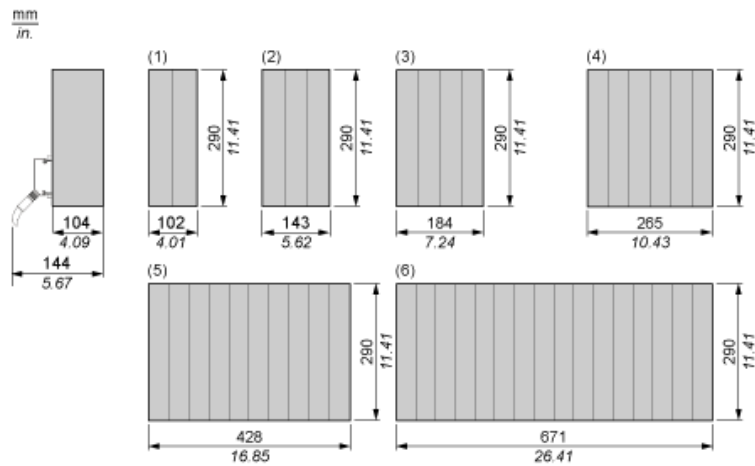
Sustainable offer status	Green Premium product
RoHS (date code: YYWW)	Compliant - since 0951 - <a href="#">Schneider Electric declaration of conformity</a>
REACH	Reference not containing SVHC above the threshold
Product environmental profile	Available <a href="#">Download Product Environmental Profile</a>
Product end of life instructions	Need no specific recycling operations

## Contractual warranty

Period	18 months
--------	-----------

Racks for Modules Mounting

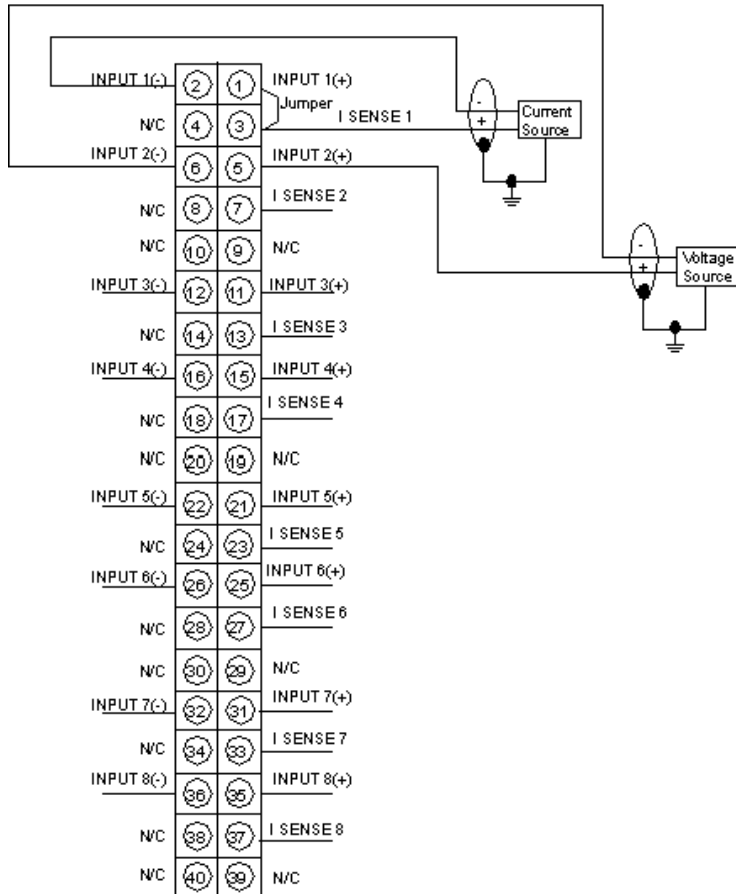
Dimensions of Modules and Racks



- (1) 2 slots
- (2) 3 slots
- (3) 4 slots
- (4) 6 slots
- (5) 10 slots
- (6) 16 slots

Analog Input 8-Channel Bipolar Module

Wiring Diagram



N/C Not Connected