



High current connectors

Reliable solutions

General information

Plastic housing D-Line

The D-Line connectors have a special plastic housing. This housing has special properties for applications and is resistant to many chemicals (see table).

- High thermal stability
- Very good insulating properties
- High dielectric strength
- Resistance to many different chemicals
- Compliant with RoHS Directive 2011/65 / EU
- High impact strength and resistance

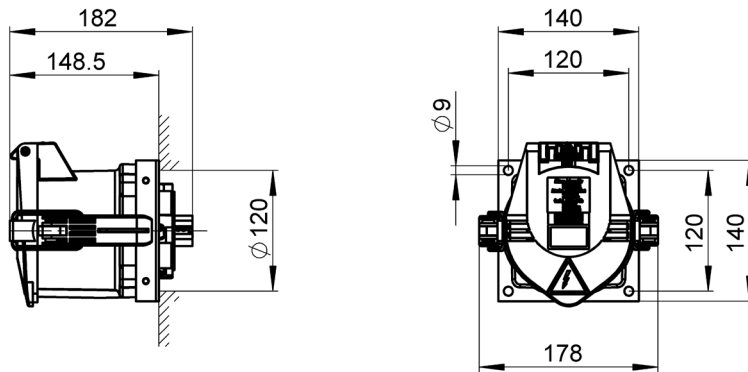
Plastic housing characteristics

Chemicals	Resistant	Not resistant
Acetic acid	X	
Citric acid solution	X	
Lactic acid	X	
Hydrochloric acid		X
Nitric acid		X
Sulfuric acid		X
Chromic Acid Solution		X
Sodium hydroxide solution	X	
Isopropanol	X	
Methanol	X	
Ethanol	X	
Hydrogen peroxide		X

Chemicals	Resistant	Not resistant
N-hexane	X	
Toluene	X	
Iso-octane	X	
Acetone	X	
Diethyl ether	X	
SAE10W40 Multi-range oil	X	
Diesel oil	X	
Sodium hypochlorite solution		X
Zinc chloride solution		X
Ethyl acetate	X	
Ethylene glycol		X
Water	X	

Weight and packaging-information

Article		Weight (kg)	Packaging Bulk outside (mm)
Plug MC	4-polig	2.7	405 x 190 x 185
	5-polig	2.9	405 x 190 x 185
Panel Mounted Inlet MCP	4-polig	2.2	286 x 204 x 140
	5-polig	2.4	286 x 204 x 140
Panel Mounted Inlet Angled MCPA	4-polig	4.2	462 x 240 x 242
	5-polig	4.4	462 x 240 x 242
Wall Mounted Inlet MCW	4-polig	3.6	360 x 240 x 200
	5-polig	3.8	360 x 240 x 200
Coupling FC	4-polig	3.4	405 x 190 x 185
	5-polig	3.6	405 x 190 x 185
Panel Mounted Receptacle FCP	4-polig	3.2	405 x 190 x 185
	5-polig	3.5	405 x 190 x 185
Panel Mounted Receptacle Angled FCPA	4-polig	4.4	462 x 240 x 242
	5-polig	4.6	462 x 240 x 242
Wall Mounted Receptacle FCW	4-polig	4.3	360 x 240 x 200
	5-polig	4.5	360 x 240 x 200



Current	Number of Poles	Voltage	Type designation	Article No.
200 A	4 (3L+PEN)	230V	FCP-S4/200 230V-9h	11760
		400V	FCP-S4/200 400V-6h	11761
		500V	FCP-S4/200 500V-7h	11762
		690V	FCP-S4/200 690V-5h	11763
		1000V	FCP-S4/200 1000V-1h	11764
	5 (3L+N+PE)	230V	FCP-S5/200 230V-9h	11765
		400V	FCP-S5/200 400V-6h	11766
		500V	FCP-S5/200 500V-7h	11767
		690V	FCP-S5/200 690V-5h	11768
		1000V	FCP-S5/200 1000V-1h	11769
250 A	4 (3L+PEN)	230V	FCP-S4/250 230V-9h	22130
		400V	FCP-S4/250 400V-6h	22131
		500V	FCP-S4/250 500V-7h	22132
		690V	FCP-S4/250 690V-5h	22133
		1000V	FCP-S4/250 1000V-1h	22134
	5 (3L+N+PE)	230V	FCP-S5/250 230V-9h	22135
		400V	FCP-S5/250 400V-6h	22136
		500V	FCP-S5/250 500V-7h	22137
		690V	FCP-S5/250 690V-5h	22138
		1000V	FCP-S5/250 1000V-1h	22139

