

CET3-AR-CRA-AH-50X-SG-109401 (ORDER NO. 109401)

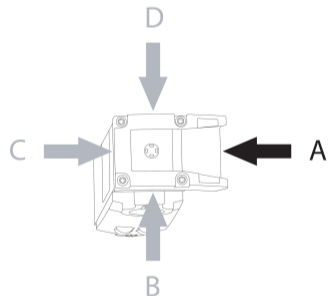
Non-contact safety switch CET-AR-..., M12

- ▶ Safety switch with guard locking and integrated evaluation electronics
- ▶ Locking force up to 6,500 N
- ▶ Up to 20 switches in series
- ▶ Short circuit monitoring
- ▶ 2 safety outputs (semiconductor outputs)
- ▶ Category 4/PL e according to EN ISO 13849-1
- ▶ With 2 plug connectors M12
- ▶ Unicode
- ▶ Door monitoring output
- ▶ Indication of the door position by LED
- ▶ Teach-in input
- ▶ Approach direction A (delivery state)



Description

Approach direction



Figure

Horizontal

Can be adjusted in 90° steps

Safety Switch

The device may be operated only in conjunction with the actuator CET-A-....

Important: The actuator must be ordered separately.

Unicode evaluation

Each actuator is highly coded (unicode). The switch detects only taught-in actuators. Additional actuators can be taught-in. Only the last actuator taught-in is detected.

Solenoid operating voltage

- ▶ DC 24 V +10% -15%

Guard locking type

CET3 **Closed-circuit current principle**, guard locking by spring force. Release by applying voltage to the guard locking solenoid. The door position is also monitored. The door monitoring output OUT D is set to HIGH as soon as the actuator is above the extended plunger (state: door closed, guard locking not active). The output OUT D remains set also with guard locking active.

LED function display

LED State Status LED

LED DIA Diagnostic LED

LED 1 rd freely configurable

LED 2 gn illuminates when door is closed

Additional connections

OUT Monitoring output (semiconductor)

OUT D Door monitoring output (semiconductor)

RST Reset input

J Teach-in input

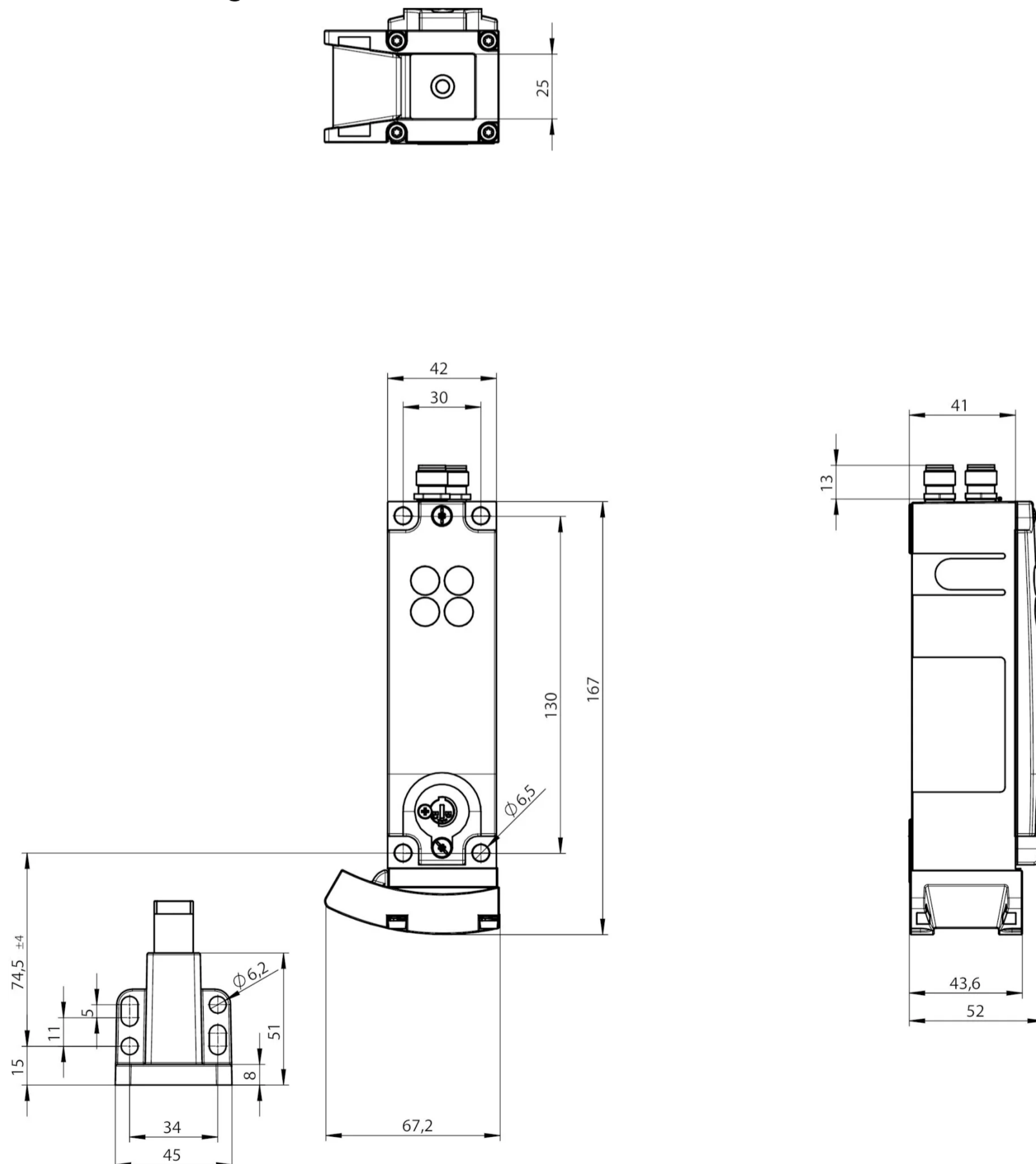
Category according to EN ISO 13849-1

Due to two redundantly designed semiconductor outputs (safety outputs) with internal monitoring suitable for:

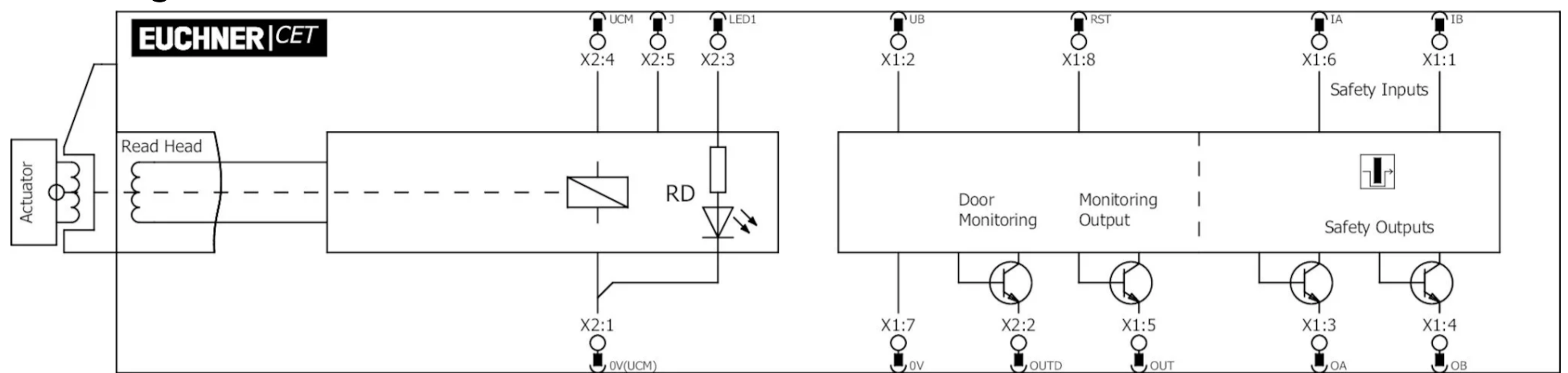
- ▶ Category 4/PL e according to EN ISO 13849-1
- ▶ The stated safety characteristics apply to any installation orientations of the safety switch.

Important: To achieve the stated category in accordance with EN ISO 13849-1, both safety outputs (OA and OB) must be evaluated.

Dimension drawing



Block diagram



Technical data

Approvals



Mechanical values and environment

Shock and vibration resistance	In acc. with EN 60947-5-3
Degree of freedom X	±5 mm
Degree of freedom Y	±5 mm
Degree of freedom Z	±4 mm
Housing material	
	Slide Stainless steel
	Safety switch housing Die-cast aluminum
Weight	
	Net 1 kg
Ambient temperature	
	At $U_B = 24V DC$ -20 ... 55 °C
Degree of protection	IP67 (Screwed tight plug connector/mating component)
Mechanical life	1×10^6
Installation orientation	Any (Preferably head downward)
Ready delay	10 s
Switching frequency	max.0,5 Hz
Connection	2 plug connectors M12, 5 and 8-pin
Approach speed	max.20 m/min
Guard locking principle	Closed-circuit current principle
Locking force F_{max}	6500 N
Locking force F_{Zh}	5000 N (FZH = FMAX/1.3)

Electrical connection ratings

Operating voltage DC	
	U_B 24 V DC -15% ... 15% Reverse polarity protected, regulated, residual ripple < 5%, PELV
	LED 24 V DC -15% ... 10%
Current consumption	
	I_B 80 mA
	I_{CM} 450 mA
Utilization category acc. to EN 60947-5-2	
	DC-13 24V 200mA (Caution: outputs must be protected with a free-wheeling diode in case of inductive loads)

Solenoid operating voltage DC	
U_{CM}	24 V DC -15% ... +10% Reverse polarity protected, regulated, residual ripple < 5%, PELV
Fusing	
External (solenoid operating voltage U_{CM})	0,5 ... 8 A
External (operating voltage U_B)	0,25 ... 8 A
Connection rating	
Solenoid	11 W
EMC protection requirements	In acc. with EN IEC 60947-5-3
Solenoid duty cycle	100 %
Degree of contamination (external, according to EN 60947-1)	3
Connecting cable	30V DC, 2A (For UL requirement UL category code (CYJV/CYJV7))
Safety class	
EN IEC 61140	III
Switching load	
According to UL	24V DC, class 2 (For alternatives see operating instructions)
Safety outputs OA/OB	
Extension of risk time according to EN 60947-5-3 per device	max.5 ms
Type of output	2 semiconductor outputs, p-switching, short circuit-proof
Switching current	
Per safety output OA / OB	1 ... 200 mA
Output voltage	
Low $U(OA) / U(OB)$	0 ... 1 V DC
High $U(OA) / U(OB)$	$U_B - 1,5V \dots U_B$ V DC
Off-state current I_r	max.0,25 mA
Risk time according to EN 60947-5-3	
Single device	max.400 ms
Turn-on time	400 ms
Discrepancy time	
Both safety outputs	max.10 ms
Monitoring output OUT	
Type of output	p-switching, short circuit-proof
Switching current	
OUT	1 ... 50 mA
Output voltage	
OUT	$0,8 \times U_B \dots U_B$ V DC
Switching delay from state change	max.400 ms
Monitoring output OUT D	
Type of output	p-switching, short circuit-proof
Switching current	
OUT D	1 ... 50 mA
Output voltage	
OUT D	$0,8 \times U_B \dots U_B$ V DC
Switching delay from state change	max.700 ms
Teach-in input	
Input voltage	
High	15 ... 27,6 V DC

Work area

Repeat accuracy R

According to EN 60947-5-2 10 %

Other

For the approval acc. to UL the following applies

Operation only with UL class 2 power supply, or equivalent measures see operating instructions

Reliability values according to EN ISO 13849-1

Monitoring of guard locking and the safety guard position

Category

Any installation orientation 4

Performance Level

PL e

PFH_D

Any installation orientation 3.1×10^{-9}

Control of the guard locking

Category

Depending on external control of guard locking
(Teach-in input and LEDs have the same ground potential as the guard locking solenoid)

Performance Level

Depending on external control of guard locking
(Teach-in input and LEDs have the same ground potential as the guard locking solenoid)

PFH_D

Depending on external control of guard locking
(Teach-in input and LEDs have the same ground potential as the guard locking solenoid)

Mission time

20 y

Accessories

Actuator

Actuator CET-A-BWK-50X



096327
CET-A-BWK-50X

- ▶ Actuator for read head/safety switch CET
- ▶ Four safety screws M5x16 included

Bolt

Bolt CET-A-C



104309
RIEGEL CET-A-C

- ▶ Steel bolt
- ▶ In combination with CET
- ▶ For doors hinged on the left or right
- ▶ Can be locked in open position with padlocks

Bolt CET-A-C, for swing doors without stop



109672
RIEGEL CET-A-C-C2308

- ▶ Steel bolt
- ▶ In combination with CET
- ▶ For doors hinged on the left or right
- ▶ Can be locked in open position with padlocks
- ▶ Bolt without door stop, suitable for swing doors

Connection material

Bridging plug M12



097645
AC-SP-SJ-097645

- ▶ Strapping plug
- ▶ M12 male plug, 4-pin

Connecting cable with two plug connectors M12, 5-pin, 1 m, AIDA standard



159362
C-M12F05-05X034PU01,0-M12M05-159362

- ▶ M12 female plug to M12 plug connector, 5-pin
- ▶ Straight female plug and plug connector
- ▶ Connecting cable according to AIDA standard
- ▶ PUR cable, sheath color yellow
- ▶ Cable length 1 m



159355
C-M12F05-05X034PU01,0-M12M05-159355

- ▶ M12 female plug to M12 plug connector, 5-pin
- ▶ Straight female plug and plug connector
- ▶ Connecting cable according to AIDA standard
- ▶ PUR cable, sheath color gray
- ▶ Cable length 1 m

Connecting cable with two plug connectors M12, 5-pin, 1.5m, AIDA standard



159363
C-M12F05-05X034PU01,5-M12M05-159363

- ▶ M12 female plug to M12 plug connector, 5-pin
- ▶ Straight female plug and plug connector
- ▶ Connecting cable according to AIDA standard
- ▶ PUR cable, sheath color yellow
- ▶ Cable length 1.5 m



159356
C-M12F05-05X034PU01,5-M12M05-159356

- ▶ M12 female plug to M12 plug connector, 5-pin
- ▶ Straight female plug and plug connector
- ▶ Connecting cable according to AIDA standard
- ▶ PUR cable, sheath color gray
- ▶ Cable length 1.5 m

Connecting cable with two plug connectors M12, 5-pin, 3m, AIDA standard



159364
C-M12F05-05X034PU03,0-M12M05-159364

- ▶ M12 female plug to M12 plug connector, 5-pin
- ▶ Straight female plug and plug connector
- ▶ Connecting cable according to AIDA standard
- ▶ PUR cable, sheath color yellow
- ▶ Cable length 3 m



159357
C-M12F05-05X034PU03,0-M12M05-159357

- ▶ M12 female plug to M12 plug connector, 5-pin
- ▶ Straight female plug and plug connector
- ▶ Connecting cable according to AIDA standard
- ▶ PUR cable, sheath color gray
- ▶ Cable length 3 m

Connecting cable with two plug connectors M12, 5-pin, 5m, AIDA standard



159365
C-M12F05-05X034PU05,0-M12M05-159365

- ▶ M12 female plug to M12 plug connector, 5-pin
- ▶ Straight female plug and plug connector
- ▶ Connecting cable according to AIDA standard
- ▶ PUR cable, sheath color yellow

▶ Cable length 5 m



159358
C-M12F05-05X034PU05,0-M12M05-159358

- ▶ M12 female plug to M12 plug connector, 5-pin
- ▶ Straight female plug and plug connector
- ▶ Connecting cable according to AIDA standard
- ▶ PUR cable, sheath color gray
- ▶ Cable length 5 m

Connecting cable with two plug connectors M12, 5-pin, 8m, AIDA standard



159919
C-M12F05-05X034PU08,0-M12M05-159919

- ▶ M12 female plug to M12 plug connector, 5-pin
- ▶ Straight female plug and plug connector
- ▶ Connecting cable according to AIDA standard
- ▶ PUR cable, sheath color yellow
- ▶ Cable length 8 m



159359
C-M12F05-05X034PU08,0-M12M05-159359

- ▶ M12 female plug to M12 plug connector, 5-pin
- ▶ Straight female plug and plug connector
- ▶ Connecting cable according to AIDA standard
- ▶ PUR cable, sheath color gray
- ▶ Cable length 8 m

Connecting cable with two plug connectors M12, 5-pin, 10m, AIDA standard



159920
C-M12F05-05X034PU10,0-M12M05-159920

- ▶ M12 female plug to M12 plug connector, 5-pin
- ▶ Straight female plug and plug connector
- ▶ Connecting cable according to AIDA standard
- ▶ PUR cable, sheath color yellow
- ▶ Cable length 10 m



159360
C-M12F05-05X034PU10,0-M12M05-159360

- ▶ M12 female plug to M12 plug connector, 5-pin
- ▶ Straight female plug and plug connector
- ▶ Connecting cable according to AIDA standard
- ▶ PUR cable, sheath color gray
- ▶ Cable length 10 m

Connecting cable with two plug connectors M12, 5-pin, 15m, AIDA standard



159921
C-M12F05-05X034PU15,0-M12M05-159921

- ▶ M12 female plug to M12 plug connector, 5-pin
- ▶ Straight female plug and plug connector
- ▶ Connecting cable according to AIDA standard
- ▶ PUR cable, sheath color yellow
- ▶ Cable length 15 m



159361
C-M12F05-05X034PU15,0-M12M05-159361

- ▶ M12 female plug to M12 plug connector, 5-pin
- ▶ Straight female plug and plug connector
- ▶ Connecting cable according to AIDA standard
- ▶ PUR cable, sheath color gray
- ▶ Cable length 15 m

Connecting cable with two plug connectors M12, 8-pin, 1 m



123430
C-M12M08-08X025PV01,0-M12F08-123430

- ▶ 8-pin M12 male plug, straight
- ▶ 8-pin M12 female connector, straight
- ▶ PVC cable
- ▶ Cable length 1 m

Connecting cable with two plug connectors M12, 8-pin, 2 m



123431
C-M12M08-08X025PV02,0-M12F08-123431

- ▶ 8-pin M12 male plug, straight
- ▶ 8-pin M12 female connector, straight
- ▶ PVC cable
- ▶ Cable length 2m

Connecting cable with two plug connectors M12, 8-pin, 5 m



123432
C-M12M08-08X025PV05,0-M12F08-123432

- ▶ 8-pin M12 male plug, straight
- ▶ 8-pin M12 female connector, straight
- ▶ PVC cable
- ▶ Cable length 5m

Connecting cable with two plug connectors M12, 8-pin, 10 m



123433
C-M12M08-08X025PV10,0-M12F08-123433

- ▶ 8-pin M12 male plug, straight
- ▶ 8-pin M12 female connector, straight
- ▶ PVC cable
- ▶ Cable length 10m

Connection cable with 2 plug connectors M12, 5-pin, 5m



100180
C-M12F05-05X034PV05,0-M12M05-100180

- ▶ M12 female plug to M12 plug connector, 5-pin
- ▶ Straight female plug and plug connector
- ▶ PVC cable
- ▶ Cable length 5 m



119932
C-M12F05-05X034PU05,0-M12M05-119932

- ▶ M12 female plug to M12 plug connector, 5-pin
- ▶ Straight female plug and plug connector
- ▶ PUR cable
- ▶ Cable length 5 m

Connection cable with 2 plug connectors M12, 5-pin, 10m



100181
C-M12F05-05X034PV10,0-M12M05-100181

- ▶ M12 female plug to M12 plug connector, 5-pin
- ▶ Straight female plug and plug connector
- ▶ PVC cable
- ▶ Cable length 10 m



119947
C-M12F05-05X034PU10,0-M12M05-119947

- ▶ M12 female plug to M12 plug connector, 5-pin
- ▶ Straight female plug and plug connector
- ▶ PUR cable
- ▶ Cable length 10 m

Connection cable with 2 plug connectors M12, 5-pin, 20m



100182
C-M12F05-05X034PV20,0-M12M05-100182

- ▶ M12 female plug to M12 plug connector, 5-pin
- ▶ Straight female plug and plug connector
- ▶ PVC cable
- ▶ Cable length 20 m



119971
C-M12F05-05X034PU20,0-M12M05-119971

- ▶ M12 female plug to M12 plug connector, 5-pin
- ▶ Straight female plug and plug connector
- ▶ PUR cable
- ▶ Cable length 20 m

Connection cable with angled plug connector M12, 5-pin, 10m



113187
C-M12F05-05X025PU10,0-MA-113187

- ▶ M12 female plug, 5-pin
- ▶ Angled plug connector
- ▶ PUR cable
- ▶ Cable length 10 m
- ▶ Cable exit A (right)
- ▶ With flying lead



113190
C-M12F05-05X025PU10,0-MA-113190

- ▶ M12 female plug, 5-pin
- ▶ Angled plug connector
- ▶ PUR cable
- ▶ Cable length 10 m
- ▶ Cable exit C (left)
- ▶ With flying lead

Connection cable with angled plug connector M12, 8-pin, 10m



113188
C-M12F08-08X025PU10,0-MA-113188

- ▶ M12 female plug, 8-pin
- ▶ Angled plug connector
- ▶ Cable outlet A (right)
- ▶ PUR cable
- ▶ Cable length 10 m
- ▶ With flying lead



113189
C-M12F08-08X025PU10,0-MA-113189

- ▶ M12 female plug, 8-pin
- ▶ Angled plug connector
- ▶ Cable outlet C (left)
- ▶ PUR cable
- ▶ Cable length 10 m
- ▶ With flying lead

Connection cable with angled plug connector M12, 8-pin, 20m



120998
C-M12F08-08X025PU20,0-MA-120998

- ▶ M12 female plug, 8-pin
- ▶ Angled plug connector
- ▶ Cable outlet A (right)
- ▶ PUR cable
- ▶ Cable length 20 m
- ▶ With flying lead



120999
C-M12F08-08X025PU20,0-MA-120999

- ▶ M12 female plug, 8-pin
- ▶ Angled plug connector
- ▶ Cable outlet C (left)
- ▶ PUR cable
- ▶ Cable length 20 m
- ▶ With flying lead

Connection cable with plug connector M12, 8-pin, 5m



100177
C-M12F08-08X025PV05,0-MA-100177

- ▶ M12 female plug, 8-pin
- ▶ Straight plug connector
- ▶ PVC cable
- ▶ Cable length 5 m
- ▶ With flying lead



115112
C-M12F08-08X025PU05,0-MA-115112

- ▶ M12 female plug, 8-pin
- ▶ Straight plug connector
- ▶ PUR cable
- ▶ Cable length 5 m
- ▶ With flying lead

Connection cable with plug connector M12, 8-pin, 10m



100178
C-M12F08-08X025PV10,0-MA-100178

- ▶ M12 female plug, 8-pin
- ▶ Straight plug connector
- ▶ PVC cable
- ▶ Cable length 10 m
- ▶ With flying lead



115113
C-M12F08-08X025PU10,0-MA-115113

- ▶ M12 female plug, 8-pin
- ▶ Straight plug connector
- ▶ PUR cable
- ▶ Cable length 10 m
- ▶ With flying lead

Connection cable with plug connector M12, 8-pin, 20m



100179
C-M12F08-08X025PV20,0-MA-100179

- ▶ M12 female plug, 8-pin
- ▶ Straight plug connector
- ▶ PVC cable
- ▶ Cable length 20 m
- ▶ With flying lead



115114
C-M12F08-08X025PU20,0-MA-115114

- ▶ M12 female plug, 8-pin
- ▶ Straight plug connector
- ▶ PUR cable
- ▶ Cable length 20 m
- ▶ With flying lead

Connection cable with plug connector M12, 8-pin, 30m



115257
C-M12F08-08X025PU30,0-MA-115257

- ▶ M12 female plug, 8-pin
- ▶ Straight plug connector
- ▶ PUR cable
- ▶ Cable length 30 m
- ▶ With flying lead



115116
C-M12F08-08X025PV30,0-MA-115116

- ▶ M12 female plug, 8-pin
- ▶ Straight plug connector
- ▶ PVC cable
- ▶ Cable length 30 m
- ▶ With flying lead

Connection cable with straight plug connector M12, 5-pin, 5m



100183
C-M12F05-05X034PV05,0-MA-100183

- ▶ M12 female plug, 5-pin
- ▶ Straight plug connector
- ▶ PVC cable
- ▶ Cable length 5 m
- ▶ With flying lead



113620
C-M12F05-05X034PU05,0-MA-113620

- ▶ M12 female plug, 5-pin
- ▶ Straight plug connector
- ▶ PUR cable
- ▶ Cable length 5 m
- ▶ With flying lead

Connection cable with straight plug connector M12, 5-pin, 10m



100184
C-M12F05-05X034PV10,0-MA-100184

- ▶ M12 female plug, 5-pin
- ▶ Straight plug connector
- ▶ PVC cable
- ▶ Cable length 10 m
- ▶ With flying lead



113640
C-M12F05-05X034PU10,0-MA-113640

- ▶ M12 female plug, 5-pin
- ▶ Straight plug connector
- ▶ PUR cable
- ▶ Cable length 10 m
- ▶ With flying lead

Connection cable with straight plug connector M12, 5-pin, 20 m



100185
C-M12F05-05X034PV20,0-MA-100185

- ▶ M12 female plug, 5-pin
- ▶ Straight plug connector
- ▶ PVC cable
- ▶ Cable length 20 m
- ▶ With flying lead



113682
C-M12F05-05X034PU20,0-MA-113682

- ▶ M12 female plug, 5-pin
- ▶ Straight plug connector
- ▶ PUR cable
- ▶ Cable length 20 m
- ▶ With flying lead

Connection cable with straight plug connector M12, 5-pin, 30 m



122784
C-M12F05-05X034PU30,0-MA-122784

- ▶ M12 female plug, 5-pin
- ▶ Straight plug connector
- ▶ PUR cable
- ▶ Cable length 30 m
- ▶ With flying lead

M12 extension PUR 5-pin, plug connectors at both ends, 10m



115565
C-M12F05-05X025PU10,0-M12M05-115565

- ▶ M12 female plug, 5-pin (angled) to M12 plug connector (straight)
- ▶ plug connectors at both ends
- ▶ PUR cable
- ▶ Cable length 10 m
- ▶ With cable exit A (right)



115566
C-M12F05-05X025PU10,0-M12M05-115566

- ▶ M12 female plug, 5-pin (angled) to M12 plug connector (straight)
- ▶ plug connectors at both ends
- ▶ PUR cable
- ▶ Cable length 10 m
- ▶ With cable exit C (left)

Passive distribution module



120861
AC-DP-04-SA-120861

- ▶ Connection of up to 4 CES-AR, CET-AR, CTP-AR and ESL-AR
- ▶ LEDs for the indication of the door position on each port
- ▶ Can be connected in series

Y-distributor M12 with connecting cable, without IO-Link evaluation



111696
AC-YD-V0,2-SBB-111696

- ▶ For series connection of AR/BR safety switches in switch chains without IO-Link evaluation
- ▶ Y-distributor M12 with connecting cable, 2 x 5-pin, 1 x 8-pin
- ▶ Straight plug connector
- ▶ PVC cable
- ▶ Cable length 0.2 m



112395
AC-YD-V1,0-SBB-112395

- ▶ For series connection of AR/BR safety switches in switch chains without IO-Link evaluation
- ▶ Y-distributor M12 with connecting cable, 2 x 5-pin, 1 x 8-pin
- ▶ Straight plug connector
- ▶ PVC cable
- ▶ Cable length 1 m

Y-distributor M12 without IO-Link evaluation



097627
AC-YD-SBB-097627

- ▶ For series connection of AR/BR safety switches in switch chains without IO-Link evaluation
- ▶ Y-distributor M12, 2 x 5-pin, 1 x 8-pin
- ▶ Straight plug connector

Function expansion

Cover for actuator CET



124979
AM-C-124979

- ▶ Cover for actuator CET
- ▶ Horizontal and vertical fastening option on the actuator
- ▶ Mounting using 4 screws M5x16 (included with the actuator)
- ▶ Suitable for combination with the lockout bar for CET actuator AE-L-CET-156429

Cover for read head and actuator CET



098808
CET ABDECKUNG RECHTS

- ▶ Cover for read heads / safety switches CET and actuators CET
- ▶ For approach direction A



098807
CET ABDECKUNG LINKS

- ▶ Cover for read heads / safety switches CET and actuators CET
- ▶ For approach direction C

Double ramp for safety switch/read head CET

114091



CET-DR

Emergency unlocking for CET



103714
AE-M-CET-103714



159080
AE-M-CET-159080

Holder for lockout mechanism CET actuator



156338
Y-CHN-A1-156338

- ▶ Holder (incl. wire rope) for lockout bar CET

Lockout bar and holder for CET actuators



155865
AE-SET-LCHN-A1-155865

- ▶ Prevents unintentional closing of the door
- ▶ Can be secured with padlocks

Lockout mechanism for CET actuator



122609
AE-L-CET-122609

- ▶ Prevents unintentional closing of the door
- ▶ Can be secured with padlocks
- ▶ Not suitable in combination with cover AM-C for actuator CET



156429
AE-L-CET-156429

- ▶ Prevents unintentional closing of the door
- ▶ Can be secured with padlocks

Mechanical key release for CET read head/switch



098850
SCHLUESSEL-HILFSENTRIEGELUNG

- ▶ Identical locking
- ▶ Key removable in “unlocked” and “locked” positions

Teach-in adapter for CET 1/3



125496
AC-TA-A1-SG-125496

- ▶ Teach-in adapter
- ▶ Optional accessory for teaching-in a new actuator for safety switch with M12 plug connector.

Mounting accessories

Efficient protection against tampering for safety switch mounting



161344
AM-C-SW4-V3-161344

- ▶ Plastic inserts for hexagon socket screws a/f 4
- ▶ Efficient protection against tampering for safety switch mounting
- ▶ The packaging includes inserts for 18 screws



161348
AM-C-SW5-V3-161348

- ▶ Plastic inserts for hexagon socket screws a/f 5
- ▶ Efficient protection against tampering for safety switch mounting
- ▶ The packaging includes inserts for 18 screws

Mounting plate EM-P actuator for safety switch CET



126400
AM-P-126400

- ▶ Mounting plate for CET actuator
- ▶ Suitable for mounting on aluminum profiles of width 30/40/50 mm
- ▶ Suitable for the mounting plates AM-P-126399 and AM-P-126398

Mounting plate EM-P handle for safety switch CET



126398
AM-P-126398

- ▶ Mounting plate with handle (handle included)
- ▶ For hinged or sliding doors
- ▶ Horizontal and vertical assembly circuits possible
- ▶ Suitable for aluminum profiles of width 30/40/50 mm
- ▶ Suitable for the CET mounting plates AM-P-126399 and AM-P-126400

Mounting plate EM-P switch for safety switch CET



126399
AM-P-126399

- ▶ Mounting plate for CET read heads/switches
- ▶ Direct mounting on aluminum profiles of width 30/40/50 mm
- ▶ Suitable for the mounting plates AM-P-126400 and AM-P-126398

Mounting plate EMP-B-... for actuator CET



106694
EMP-B-CET

- ▶ Mounting plate for actuator CET for hinged or sliding doors
- ▶ Suitable for aluminum profiles 40 ... 45 mm
- ▶ Horizontal and vertical mounting
- ▶ Made of aluminum

Mounting plate EMP-L-... for CET read head/switches

106695
EMP-L-CET

- ▶ Mounting plate for CET read heads/switches
- ▶ For hinged or sliding doors



- ▶ Suitable for aluminum profiles 40 ... 45 mm
- ▶ Horizontal and vertical mounting
- ▶ Suitable for CET with escape release

Contacts

🏠 EUCHNER GmbH + Co. KG
Kohlhammerstraße 16
70771 Leinfelden-Echterdingen

☎ +49 711 7597-0

📠 +49 711 753316

✉ [info\(at\)euchner.de](mailto:info(at)euchner.de)