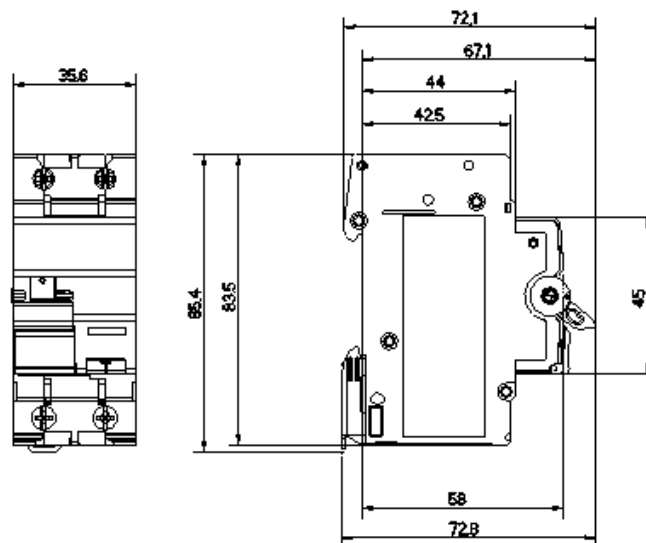


3 Dimensions, weight and packaging

- Quantity per pack: 1
- Weight: 225g



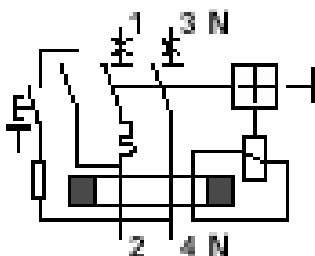
4 Approval, Standards and specifications

The PRODUCT complies with following standards and European Directives:

- EN 61009-1
- IEC 61009-
- EN 60715
- EN 60 947-2
- IEC 1543 (EMC)
- Directive. 2002/95/EC (ROHS)

5 Installation

5.1 Diagram connection



7.1 Range

Poles	Sensitivity and type	Rating	New Terasaki internal reference
1P+N	30mA AC	6	103209
		10	103216
		16	103223
		20	103230
		25	103247
		32	103254
		40	103261
	300mA AC	6	103278
		10	103285
		16	103292
		20	103308
		25	103315
		32	104145
		40	104152
	30mA A	6	103322
		10	103339
		16	103346
		20	103353
		25	103360
		32	103377
		40	103384