

Plastic cable glands IP 68

ISO and PG



Pack	Cat.Nos	Grey RAL 7001 cable glands		
		Anti-vibration mechanically tightened cable gland with neoprene weatherproof seal for IP 68 protection Locking part consisting of flexible blades which exert strong pressure on the cable thus giving the product excellent tensile strength Supplied with surface seal and locking nut mounted		
		ISO		
		Conform to EN 50 262		
			Clamping capacity	
		ISO	Ø Min. (mm)	Ø Max. (mm)
25	0 980 00	12	3	6.5
25	0 980 01	16	4	8
25	0 980 03	20	6	12
10	0 980 05	25	12	18
5	0 980 06	32	18	25
3	0 980 07	40	22	32
2	0 980 08	50	30	38
2	0 980 09	63	34	44
		PG		
		Conform to UTE C 68-300 and 68-311 guides recommendations		
			Clamping capacity	
		PG	Ø Min. (mm)	Ø Max. (mm)
25	0 980 20	7	3	6.5
25	0 980 21	9	4	8
25	0 980 22	11	5	10
25	0 980 23	13.5	6	12
20	0 980 24	16	10	14
10	0 980 25	21	12	18
5	0 980 26	29	18	25
3	0 980 27	36	22	32
2	0 980 28	42	30	38
2	0 980 29	48	34	44

Pack	Cat.Nos	Grey RAL 7001 stopping plugs - ISO	
		Hexagonal with base ensuring the IP protection of the enclosure	
		Can be tightened using a flat screwdriver	
		Supplied with surface seal	
		Nuts to be ordered separately	
50	0 980 41	ISO 16	
50	0 980 43	ISO 20	
50	0 980 45	ISO 25	
25	0 980 46	ISO 32	
25	0 980 47	ISO 40	

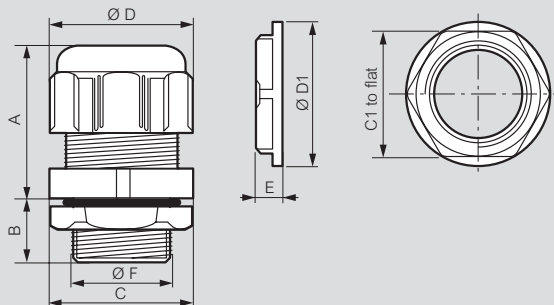
Plastic cable glands IP 68

Cable glands

Characteristics

Halogen-free polyamide UL 94-V2
 Operating temperature: - 20 °C to + 80 °C
 Self-extinguishing 850 °C according to IEC 60695-2-11

Dimensions (mm)



ISO

Cat.Nos	Threading	A	B	Ø D	C (to flat)	Ø F	Drilling Ø	C1	E	Ø D1
0 980 00	ISO 12	22	10	16.8	15	11.9	12.7	19	5	21
0 980 01	ISO 16	26	10	21	19	15.9	16.2	22	5	24
0 980 03	ISO 20	29	12	26.5	24	19.8	20.4	26	6	28
0 980 05	ISO 25	35	15	36	33	24.8	25.4	32	6	35
0 980 06	ISO 32	40	15	46.5	42	31.6	32.5	42	7	43
0 980 07	ISO 40	49	17	58.5	53	39.9	40.5	50	7	56
0 980 08	ISO 50	54	17	66.5	60	50	50.8	60	8	66
0 980 09	ISO 63	54	18	75	68	62.9	64	75	8	82

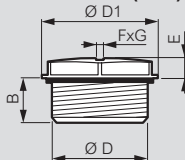
PG

Cat.Nos	Threading	A	B	Ø D	C (to flat)	Ø F	Drilling Ø	C1	E	Ø D1
0 980 20	PG 7	22	10	16.8	15	12.5	12.7	19	5	21
0 980 21	PG 9	26	10	21	19	15.2	15.2	22	5	24
0 980 22	PG 11	27	12	24.5	22	18.6	18.6	24	5	26
0 980 23	PG 13.5	29	12	26.5	24	20.4	20.4	26	6	28
0 980 24	PG 16	30	13	29.5	27	22.5	22.5	32	6	35
0 980 25	PG 21	35	15	36	33	28.3	28.3	36	7	38
0 980 26	PG 29	40	15	46.5	42	37	37	46	7	51
0 980 27	PG 36	49	17	58.5	53	47	47	60	8	66
0 980 28	PG 42	54	17	66.5	60	54	54	70	8	78
0 980 29	PG 48	54	18	75	68	60	60	75	8	82

Stopping plugs

Polyamide

Dimensions (mm)



Cat.Nos	Threading	Ø D	D1	F X G	B	E
0 980 41	ISO 16	15.8	20.5	8 x 2	12	3.9
0 980 43	ISO 20	19.8	25	8 x 2	12	3.8
0 980 45	ISO 25	24.8	30.5	8 x 2	12	4.4
0 980 46	ISO 32	31.8	38	8 x 2	12	4.9
0 980 47	ISO 40	39.8	46.5	8 x 2	12.5	4.9