

# Solenoids 02XX, 07XX



Catalog Register  
A17, P17



Publication 7500775.06.03.97



Standard voltages: 24 VDC, 230 V 50 Hz,  
other voltages on request.

Design to VDE 0580. 100% duty cycle.

Max. wire cross section of connecting cable: solid and fine wire 1.5 mm<sup>2</sup>

	Rated power			Degree of protection to DIN 40050 <sup>1)</sup>	Perm. relative air humidity [%]	Temperatures <sup>2)</sup>			Weight [kg]	Voltage	Cat. No. Solenoids	Constructional features
	DC	AC Inrush	AC Holding			Fluid max. [°C]	Ambience [°C]	Max. temp. sum [°C]				
	11 W	22 VA	15 VA	IP 00	<80	+80	-25 to +60	120	0.15	O <sup>3)</sup>	<b>0200</b>	Epoxy encapsulated, socket to DIN 43650 A
	11 W	22 VA	15 VA	IP 65	<80	+80	-25 to +60	120	0.18	O <sup>3)</sup>	<b>0201</b>	Epoxy encapsulated, connector (black) to DIN 43650 A
	3 W			IP 65	<80	+80	-25 to +60	120	0.18	DC	<b>0240</b>	Epoxy encapsulated, connector (black) to DIN 43650 A
		10 VA	5 VA	IP 65	<80	+80	-25 to +60	120	0.18	AC	<b>0241</b>	Epoxy encapsulated, connector (black) to DIN 43650 A
	3 W			IP 00	<80	+80	-25 to +60	120	0.15	DC	<b>0242</b>	Epoxy encapsulated, socket to DIN 43650 A
		10 VA	5 VA	IP 00	<80	+80	-25 to +60	120	0.15	AC	<b>0245</b>	Epoxy encapsulated, socket to DIN 43650 A
	7 W	18 VA	9 VA	IP 00	<80	+80	-25 to +60	120	0.15	O <sup>3)</sup>	<b>0246</b>	Epoxy encapsulated, socket to DIN 43650 A
	7 W	18 VA	9 VA	IP 65	<80	+80	-25 to +60	120	0.18	O <sup>3)</sup>	<b>0247</b>	Epoxy encapsulated, connector (black) to DIN 43650 A
	16 W	50 VA	27 VA	IP 00	<80	+80	-25 to +60	120	0.3	O <sup>3)</sup>	<b>0700</b>	Epoxy encapsulated, socket to DIN 43650 A
	16 W	50 VA	27 VA	IP 65	<80	+80	-25 to +60	120	0.33	O <sup>3)</sup>	<b>0701</b>	Epoxy encapsulated, connector to DIN 43650 A

<sup>1)</sup> Degree of protection applies to complete assembly composed of valve and coil, with electrical wiring according to regulations.

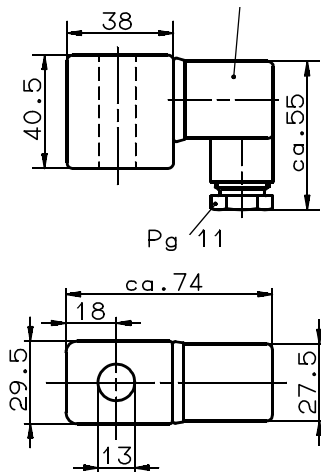
<sup>2)</sup> Temperatures mentioned refer to solenoids only. Permissible valve temperatures are not considered here. The max. temperature sum composed of the ambient- and fluid temperature must not be exceeded.

<sup>3)</sup> DC or AC, depending on winding

## Dimensional drawings

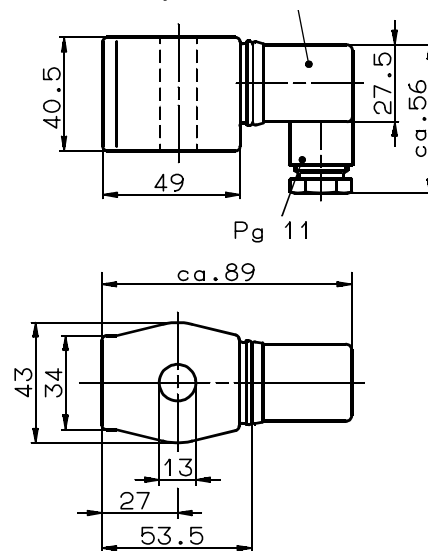
Cat. No. Solenoid
<b>02XX</b>

Connector can be indexed  
by 4 x 90°



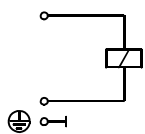
Cat. No. Solenoid
<b>0701</b>

Connector can be indexed  
by 4 x 90°



## Circuit diagram

01



## Connection possibilities for epoxy encapsulated solenoids

Picture	Description	Cat. No. (cpl. part)	Remarks
	Connector to DIN 43650 A (black) (grey)	<b>0570275</b> <b>0657859</b>	12...250 VDC/VAC
	Connector to DIN 43650 A with knurled screw (black) (grey)	<b>0659295</b> <b>0660135</b>	12...250 VDC/VAC
	Connector to DIN 43650 A with rectifier (small design) (black) (grey)	<b>0663303</b> <b>0664633</b>	12...250 VDC/VAC 
	Connector to DIN 43650 A with LED (black) (grey)	<b>0664031</b> <b>0664030</b>	15...30 VDC 
	Connector to DIN 43650 A with lamp (black) (grey)	<b>0663034</b> <b>0663860</b>	150...250 VDC/VAC 
	Connector with rectifier, socket to DIN 43650 A (black) (grey)	<b>0570819</b> <b>0570322</b>	15...250 VDC/10...250 VAC 
	Connector to DIN 43650 A with 3 m cable 3x1 mm <sup>2</sup>	<b>0681493</b>	250 VDC/VAC
	Connector to DIN 43650 A with 3 m cable 3x1 mm <sup>2</sup> , with LED and Zener diode	<b>0664363</b>	24 VDC/VAC 
	Adapter with varistor and indicating light for connectors to DIN 43650 A, degree of protection IP 54	<b>0662804</b>	24 VDC/VAC 
	Adapter with RC-link and indicating light for connectors to DIN 43650 A, degree of protection IP 54	<b>0662805</b>	230 VDC/VAC 
	Length 39 mm, height 20 mm above solenoid		
	Length 39 mm, height 20 mm above solenoid		