



Item no: B110-2.30

Suction cup B110-2 Nitrile-PVC with filter

- Suitable for level adjustment. Several short bellows in one lifting device can handle objects with height differences and varying shapes, for example embossed or corrugated plates.
- Lifting movement to separate small and thin objects.
- Only lightweight objects should be handled when the lifting force is parallel to the surface of the object, in order to achieve good precision and safe lifting movement.
- Filter disk made of PE.

General

| | |
|--------------------------|--|
| Item number, alternative | S.B110-2NP50.XXX.02 |
| Application | PlasticInjectionMoldedParts, DrySheetMetal |
| Suction cup shape | Bellows |
| Material | Nitrile-PVC (NPV) |
| Suction cup model | B |
| Weight | 4.23 oz |
| Volume | 18.92 in ³ |
| Name | B110 |
| Movement, vertical max. | 1.36 in |
| Curve radius, min. | 2.36 in |


Fitting

| | |
|----------------|------|
| Fitting option | None |
| Fitting size | None |
| Fitting style | None |
| Fitting type | None |

Dimension

| | |
|--------------------------|---------|
| Height | 2.14 in |
| Outer diameter, actuated | 5.14 in |
| Outer diameter | 4.41 in |


Performance - lifting forces

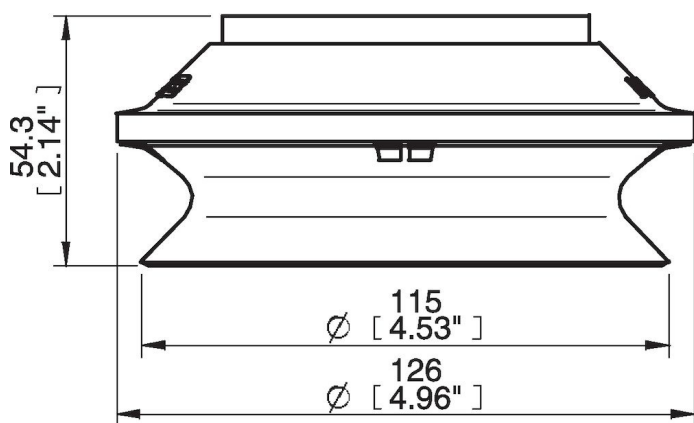
| | B110 |  |
|-------------|------|---|
| 5.91 -inHg | | 30.8 lbf |
| 17.72 -inHg | | 77.11 lbf |
| 26.58 -inHg | | 103.64 lbf |

Material

| | |
|-------------|-------------|
| Name | NPV |
| Color | Black |
| Temperature | 32 - 194 °F |
| Hardness | 50 °Shore A |

| | NPV |
|--------------------|-----|
| Alcohol | ++ |
| Concentrated acids | + |
| Ethanol | n/a |
| Hydrolysis | ++ |
| Methanol | n/a |
| Oil | +++ |
| Oxidation | ++ |
| Gasoline | +++ |
| Wear resistance | +++ |
| Weather and ozone | ++ |

Dimensional drawings 



Values specified in the data sheet are tested at:

- Room temperature: (20°C [68°F] ± 3°C [5.5°F])
- Standard atmosphere: (101.3 [29.9 inHg] ± 1.0 kPa [0.3 inHg])
- Relative humidity: 0-100%
- Compressed air quality: DIN ISO 8573-1 class 4

Accessories

11UA | Fitting G1/2" female AI, with mesh filter

11NC | Fitting 110, G1/2" female, clamp ring with mesh filter

11NB | Fitting 110, 3/8" NPSF female, with mesh filter

11NA | Fitting 110 G3/8" female, clamp ring with mesh filter

Spare parts

02.01.150 | Filter D=118, 10 pcs, for B110-2