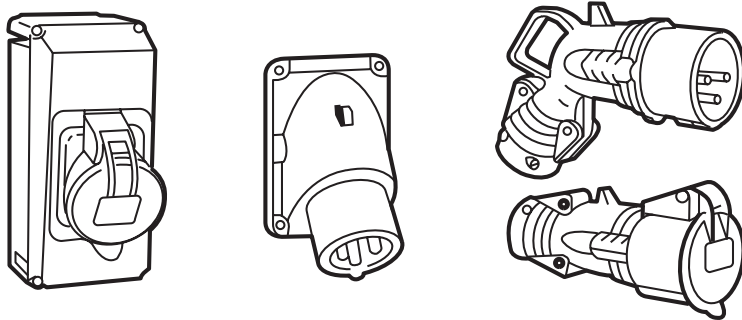


16/32/63A - IP44 plugs, mobile sockets, socket inlets and appliance inlets

Cat. No(s):



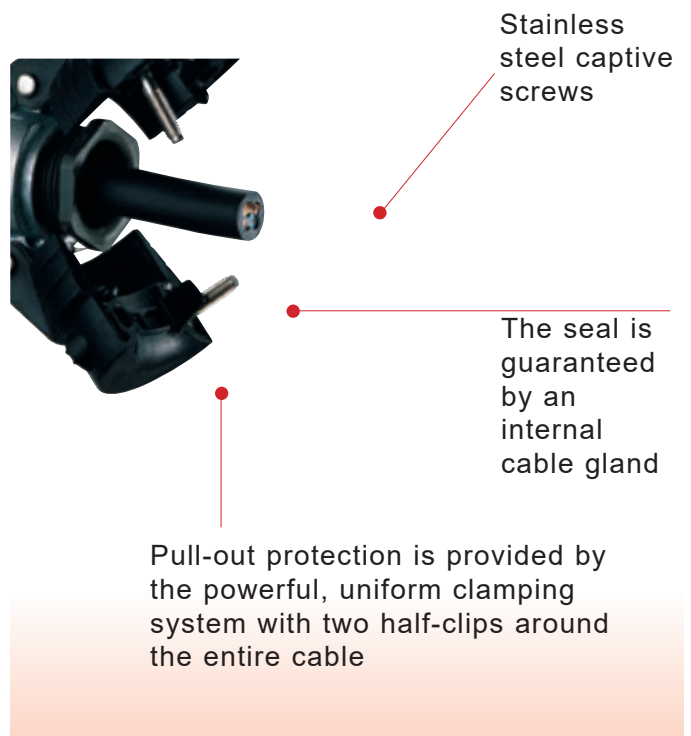
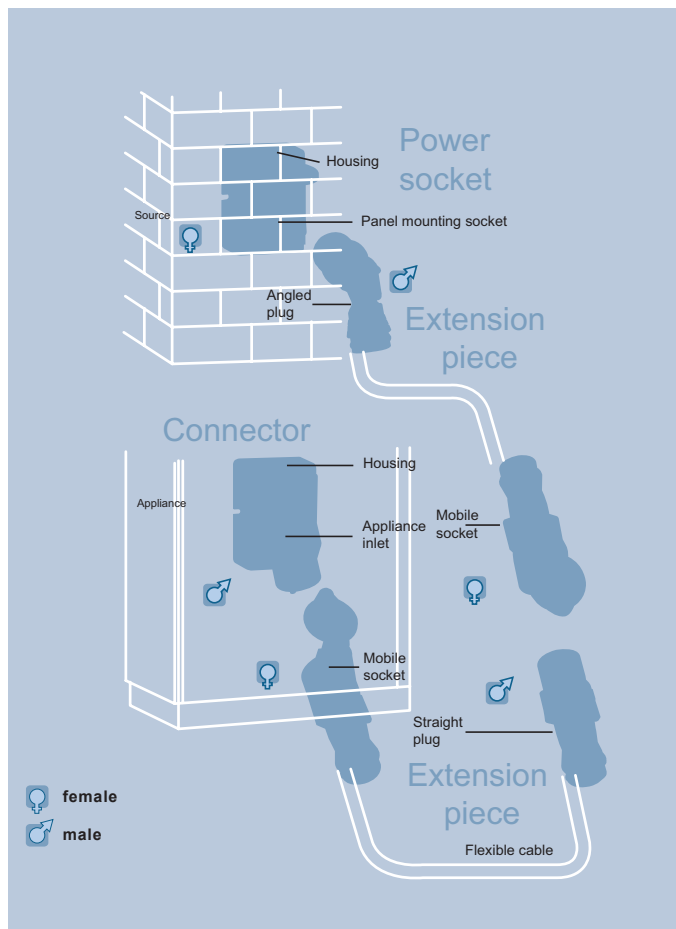
CONTENTS	Page
1. General data	1-2
2. Range	2-10
3. Dimensions	11-15
4. Technical data	15-16
5. Connection	16
6. Wiring chart	17
7. Standards and decrees	17
8. Accessories	17

1. GENERAL DATA

Three materials: metal, plastic, rubber
IP 44 from 16 to 63A
Integrated cable gland on the entire range
Captive external screws, stainless steel
Direct transfer range which can be used to replace old Martin Lunel stock.
Nickel-plated brass pins.

Plugs and mobile sockets

- Plastic for ELV
- Metal, plastic, rubber for 16/32 IP44
- Plastic, rubber for 63 IP44
- Plastic for 63A and 125A IP66/67
- Accepts different cable Ø thanks to the peelable ring on the cable gland.



16/32/63A - IP44 plugs, mobile sockets, socket inlets and appliance inlets

Cat. No(s):

2. RANGE (continued)

16/32/63A angled metal, plastic, rubber plugs

			Metal	Plastic	Rubber
20/25V~ 50/60Hz	16A	2P		0 524 41	
		3P		0 524 42	
	32A	2P		0 525 41	
40/50V~ 50/60Hz	16A	2P		0 524 43	
		3P		0 524 44	
20/50V=	16A	2P		0 524 45	
200/250V~ 50/60Hz	16A	2P+E	0 520 72	0 520 62	0 521 52
		3P+E		0 520 63	
		3P+N+E		0 520 64	
	32A	2P+E	0 527 72	0 527 62	
		3P+E		0 527 63	
		3P+N+E		0 527 64	
	63A	2P+E	0 536 72		
		3P+E			
		3P+N+E			
380/415V~ 50/60Hz	16A	2P+E		0 522 62	
		3P+E	0 522 73	0 522 63	0 521 53
		3P+N+E	0 522 74	0 522 64	0 521 54
	32A	2P+E		0 529 62	
		3P+E	0 529 73	0 529 63	0 528 53
		3P+N+E	0 529 74	0 529 64	0 528 54
	63A	3P+E	0 538 73		0 538 63
		3P+N+E	0 538 74		0 538 64

NB: Use of pilot cable in 63A

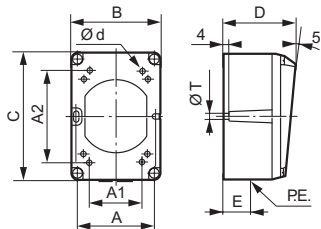
16/32/63A - IP44 plugs, mobile sockets, socket inlets and appliance inlets

Cat. No(s):

3. DIMENSIONS (continued)

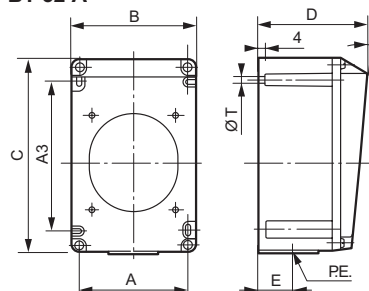
Simple plastic and/or metal housings for LV and VLV 16/32A panel mounting sockets

LV 16 A. VLV 16 and 32A



A1 and A2: resealable optional internal fixing points.
Metal housings equipped with:
- 2 earth terminals and 1 external terminal.
- 1 socket-outlet for the metal socket earthing pin.

BT 32 A

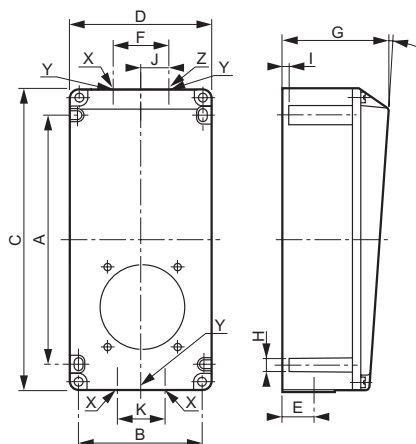


Metal housings equipped with:
- 2 earth terminals and 1 external terminal.
- 1 socket-outlet for the metal socket earthing pin.

Reversible Housing → Panel mounting sockets ↓	Material	Weight (kg)	Mountings					Dimensions (mm)					P.E.
			A1	A2	Ød	A	A3	ØT	B	C	D	E	
IP 44 - BT 16 A													
2P+T	Plastic	0.115											
	Metal	0.400	51	68	4.2	64	-	5.3	74	106	58	20	M 20
3P+T	Plastic	0.160											
	Metal	0.520	68	68	4.2	85	-	5.3	96	122	60	22	M 20
3P+T+N	Plastic	0.160											
	Metal	0.520	68	68	4.2	85	-	5.3	96	122	60	22	M 20
IP 44 - BT 32 A													
2P+T	Plastic	0.340											
	Metal	0.910	-	-	-	90	125	5.3	102	162	90	26	M 25
3P+T	Plastic	0.340											
	Metal	0.910	-	-	-	90	125	5.3	102	162	90	26	M 25
3P+T+N	Plastic	0.340											
	Metal	0.910	-	-	-	90	125	5.3	102	162	90	26	M 25
IP 44 - BT 16 A / 32 A													
2P	Plastic	0.115	51	68	4.2	64	-	5.3	74	106	58	20	M 25

3. DIMENSIONS (continued)

Metal or plastic through housings for 16/32/63A sockets



Plastic housings equipped with 2 connected earth terminals
Metal housings equipped with:
- 2 earth terminals and one external terminal.
- 1 socket-outlet for the metal socket earthing pin.

Reversible housings → Panel mounting sockets ↓	Material	Weight (kg)	Mountings			Dimensions										
			A	B	H	C	D	E	F	G	I	J	K	X	Y	Z
16 A																
2 P + ⊕	Plastic	0.330														
	Metal	0.830	145	74	5.3	182	86	22	34	75	4	-	-	-	M20	-
3 P + ⊕	Plastic	0.440														
	Metal	0.980	175	88	5.3	212	100	22	40	77	4	-	-	-	M20	-
3 P + N + ⊕	Plastic	0.440														
	Metal	0.980	175	88	5.3	212	100	22	40	77	4	-	-	-	M20	-
32 A																
2 P + ⊕	Plastic	0.670														
	Metal	1.730	234	117	5.3	270	130	30	50	110	4	-	-	-	M25	-
3 P + ⊕	Plastic	0.670														
	Metal	1.730	234	117	5.3	270	130	30	50	110	4	-	-	-	M25	-
3 P + N + ⊕	Plastic	0.670														
	Metal	1.730	234	117	5.3	270	130	30	50	110	4	-	-	-	M25	-
63 A																
2 P + ⊕	Plastic	2.000														
	Metal	4.300	260	152	6.3	300	170	40	-	150	8	50	70	M32	-	M20
3 P + ⊕	Plastic	2.000														
	Metal	4.300	260	152	6.3	300	170	40	-	150	8	50	70	M32	-	M20
3 P + N + ⊕	Plastic	2.000														
	Metal	4.300	260	152	6.3	300	170	40	-	150	8	50	70	M32	-	M20